

SUMMARY FLOW REGULATOR

- **INTRODUCTION FLOW MICRO-REGULATOR**

E3.2



- **FLOW MICRO-REGULATOR SERIES COMPACT N and COMPACT O**

E3.4



- **FLOW MICRO-REGULATOR SERIES MRF HIGH-FLOW**

E3.13



- **FLOW MICRO-REGULATOR SERIES MRF PUSH-LOCK**

E3.15



- **IN-LINE FLOW MICRO-REGULATOR SERIES RFL L**

E1.23



- **IN-LINE FLOW REGULATOR SERIES RFL**

E3.17

INTRODUCTION FLOW MICRO-REGULATOR

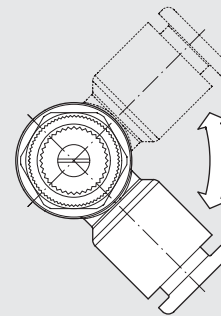
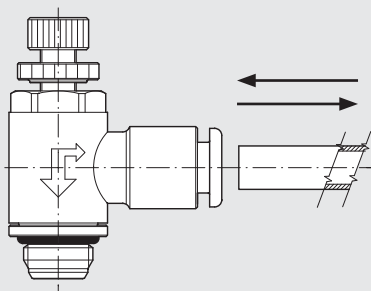
The job of flow microregulators is to regulate speed in the pneumatic cylinders. The configuration of both type C (to be mounted on the cylinder inlet) and type V (to be mounted on the valve port) is such as to ensure full flow on feed and regulated flow on discharge. Type B (bidirectional) can be used to regulate the flow both on feed and discharge. Flow microregulators are divided into 4 series:

- **MRF COMPACT O:** can be adjusted using a screwdriver; the regulation pin is lubricated with a particular antivibration grease; it has reduced dimensions and fine adjustment in the first turns; adjustment can be prevented by assembling a disposable cap (supplied separately) that can be removed using a tool.
- **MRF COMPACT N:** can be adjusted using the knob and/or screwdriver; adjustment can be prevented by tightening the ring nut; it has the same regulation curve as those in series O.
- **MRF HIGH-FLOW:** can be adjusted using the knob and/or screwdriver; adjustment can be prevented by tightening the ring nut; it is ideal for use in installations requiring high flow rates both on regulation and discharge. Available in 1/8" and 1/4" and with a technopolymer ring.
- **MRF PUSH-LOCK:** it is the only one in the MRF series with a PUSH-LOCK knob, that can be replaced by an anti-tampering knob (supplied separately). Available in 1/8" and 1/4" and with a technopolymer ring.

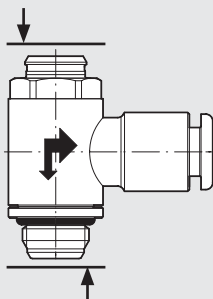


All the MRF with a pipe engage-release system of the latest generation that facilitates detachment of the pipe even under difficult operating conditions.

The rings can be rotated even with the MRF installed, which means that they can be mounted with the pipe facing towards any direction.

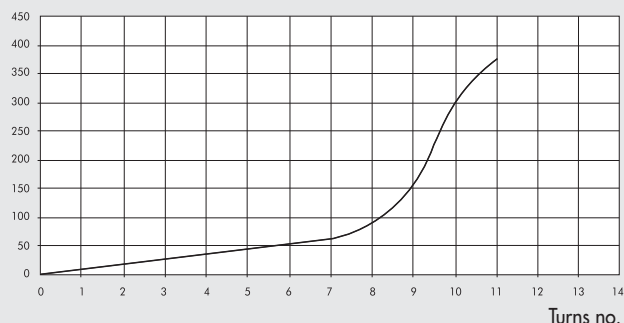


Special focus has been placed on miniaturisation of the components (mainly for COMPACT MRF series O), which saves considerable space.



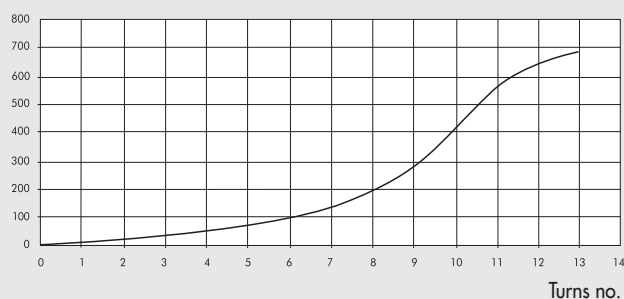
FLOW CHARTS

Flow rate (Nl/min)

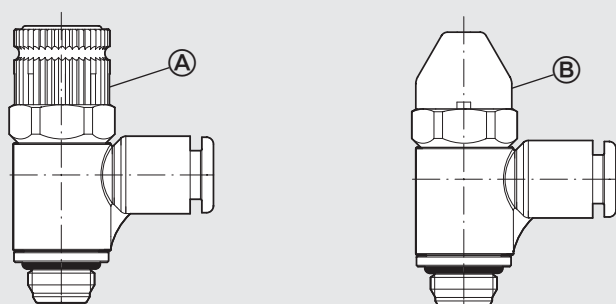


The regulation curve in the MRF series COMPACT N, COMPACT O and PUSH-LOCK takes place in two sections: in the first half of the flash pin stroke for very fine regulation and relatively low flow rates; in the second half, the flash pin quickly opens the passage so as to reach the maximum flow rate quickly.

Flow rate (Nl/min)



The regulation curve in the MRF series HIGH-FLOW is divided into 3 sections: regulation is particularly accurate along the entire flash pin stroke and the maximum flow rate is reached at a good steady rate; in this way, the user can choose the solution which best fits the specific application.



A major innovative aspect of the new MRF is the possibility of using the PUSH-LOCK series that can be mounted with either a push-lock (A) or an anti-tampering knob (B). The push-lock knob prevents decalibration of the MRF due to vibration or incorrect torque. With the anti-tampering knob there is no way to change the position unless you remove the knob using a special tool.



All the new MRF can be fixed from the top using a universal wrench, a pipe wrench or an automatic screwdriver.

Thread	Maximum torque [Nm]*
M5	max 1.8
G 1/8"	max 6
G 1/4"	max 8
G 3/8"	max 10
G 1/2"	max 15

* measured on a metal female thread

FLOW MICROREGULATOR SERIES COMPACT N and COMPACT O

Main features:

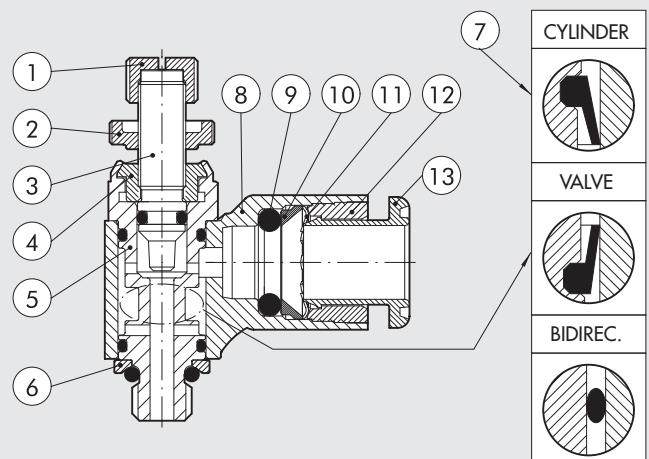
- reduced dimensions
- excellent regulation
- regulation with a screwdriver and disposable anti-tampering cap (COMPACT O)
- regulation with either a screwdriver and/or a knob, can be fixed with a ring nut (COMPACT N)
- available in all sizes (from M5 to 1/2") with a brass or a technopolymer ring
- can be mounted with an automatic screwdriver
- comes with a ring that can rotate even with the MRF mounted in position.



TECHNICAL DATA	M5			1/8"				1/4"				3/8"			1/2"	
	Ø 4	Ø 5*	Ø 6	Ø 4	Ø 5*	Ø 6	Ø 8	Ø 6	Ø 8	Ø 10	Ø 12	Ø 8	Ø 10	Ø 12	Ø 12	
Pipe																
Max input pressure	MPa															
	bar															
	psi															
Temperature range: Technopolymer ring	°C															
	°F															
Brass ring	°C															
	°F															
Max flow rate on regulation at 6.3 bar	Nl/min	150	155	155	350	360	380	400	750	850	950	1000	1250	1300	1400	2000
Max flow rate on exhaust at 6.3 bar with closed needle	Nl/min	140	145	150	300	320	350	390	450	500	500	550	1030	1050	1250	1750
Max flow rate on exhaust at 6.3 bar with open needle	Nl/min	240	245	245	450	510	600	650	850	1050	1150	1250	1700	1700	2100	2700
Regulation	Manual (COMPACT N only) or using a screwdriver															
Internal system	Tapered needle															
Fluid	Filtered, lubricated or unlubricated compressed air															
* Pipe Ø 5 is only available with a brass ring																

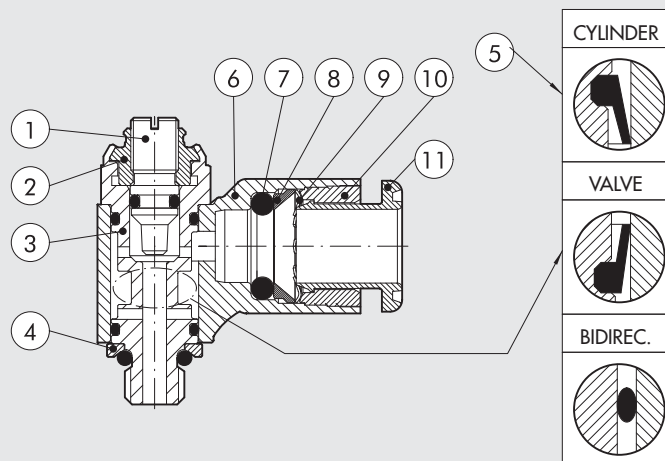
TYPE N COMPONENTS - M5 THREAD

- 1) Nickel-plated brass knob
- 2) Nickel-plated brass securing ring nut
- 3) Brass needle
- 4) Nickel-plated brass bush
- 5) Nickel-plated brass body
- 6) Nickel-plated brass retaining ring
- 7) NBR gasket
- 8) Nickel-plated or technopolymer brass revolving ring
- 9) NBR gasket
- 10) Technopolymer spring supporting ring
- 11) Stainless steel grabbing spring
- 12) Technopolymer retaining bush
- 13) Technopolymer release bush



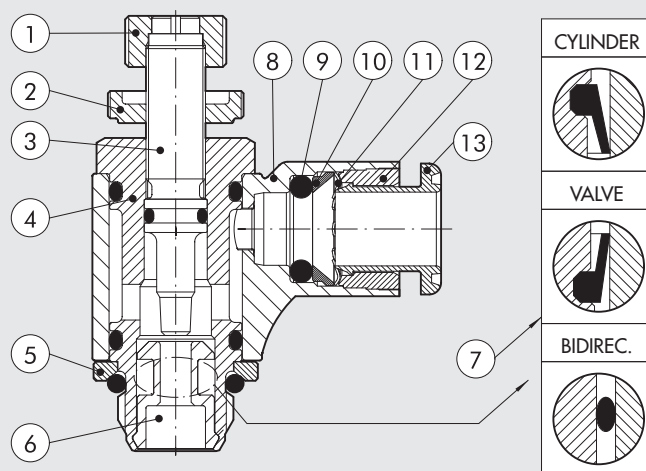
TYPE O COMPONENTS - M5 THREAD

- ① Brass needle
- ② Nickel-plated brass bush
- ③ Nickel-plated brass body
- ④ Nickel-plated brass retaining ring
- ⑤ NBR gasket
- ⑥ Nickel-plated or technopolymer brass revolving ring
- ⑦ NBR gasket
- ⑧ Technopolymer spring supporting ring
- ⑨ Stainless steel grabbing spring
- ⑩ Technopolymer retaining bush
- ⑪ Technopolymer release bush



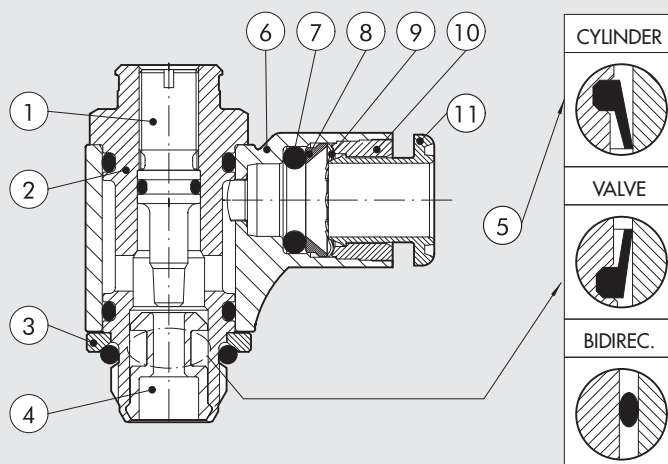
TYPE N COMPONENTS - THREAD 1/8" TO 1/2"

- ① Nickel-plated brass knob
- ② Nickel-plated brass securing ring nut
- ③ Brass needle
- ④ Nickel-plated brass body
- ⑤ Nickel-plated brass retaining ring
- ⑥ Brass gasket holding insert
- ⑦ NBR gasket
- ⑧ Nickel-plated or technopolymer brass revolving ring
- ⑨ NBR gasket
- ⑩ Technopolymer spring supporting ring
- ⑪ Stainless steel grabbing spring
- ⑫ Technopolymer retaining bush
- ⑬ Technopolymer release bush



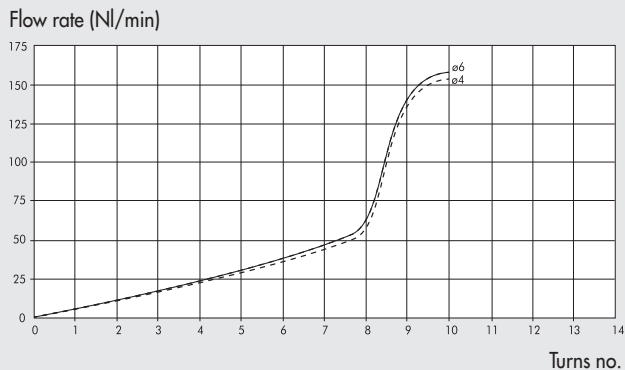
TYPE O COMPONENTS - THREAD FROM 1/8" TO 1/2"

- ① Brass needle
- ② Nickel-plated brass body
- ③ Nickel-plated brass retaining ring
- ④ Brass gasket holding insert
- ⑤ NBR gasket
- ⑥ Nickel-plated or technopolymer brass revolving ring
- ⑦ NBR gasket
- ⑧ Technopolymer spring supporting ring
- ⑨ Stainless steel grabbing spring
- ⑩ Technopolymer retaining bush
- ⑪ Technopolymer release bush

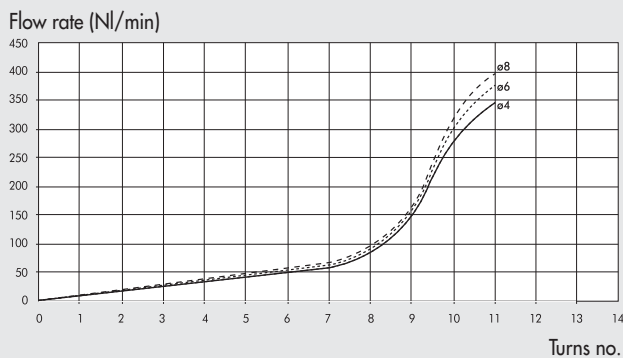


FLOW CHARTS

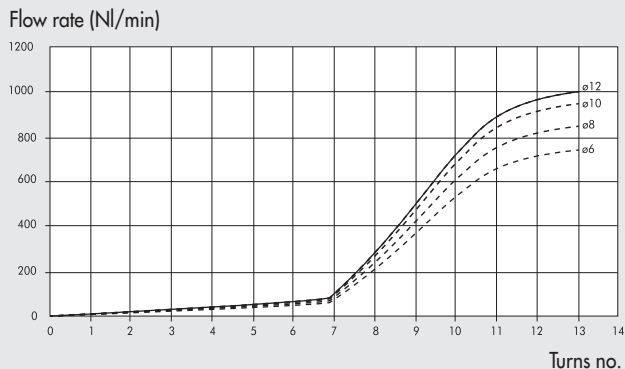
MRF M5 - PIPE Ø 4 - Ø 6



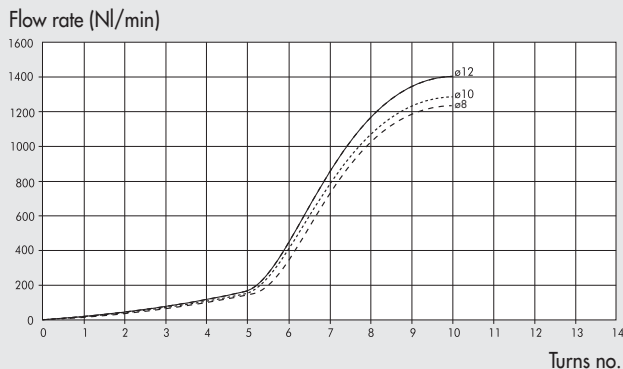
MRF 1/8" - PIPE Ø 4 - Ø 6 - Ø 8



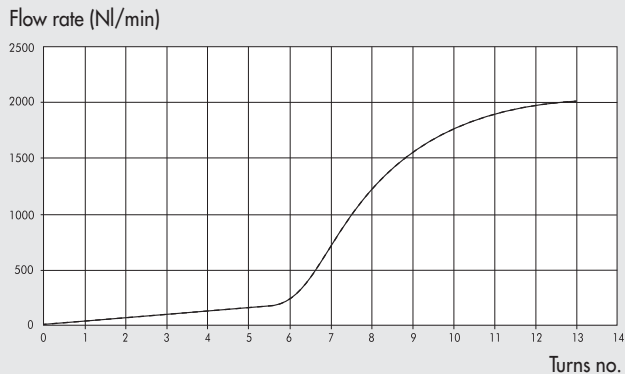
MRF 1/4" - PIPE Ø 6 - Ø 8 - Ø 10 - Ø 12



MRF 3/8" - PIPE Ø 8 - Ø 10 - Ø 12



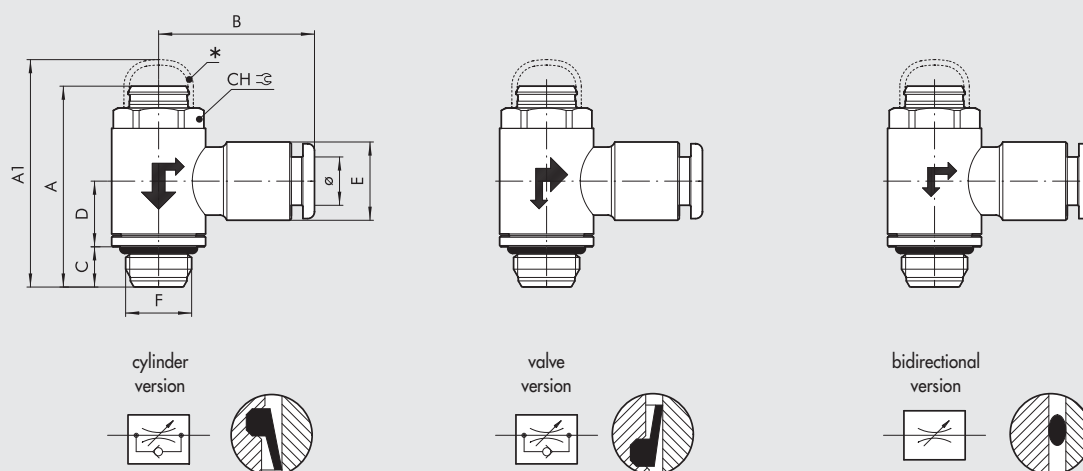
MRF 1/2" - PIPE Ø 12



SYNOPTIC, SIZES AND VERSIONS

M R F FAMILY	N TYPE	M RING	C FUNCTION	4 Ø PIPE	M5 Ø THREAD
Flow microregulator	N With knob and ring nut O Flash needle	M Nickel-plated brass with push-in fitting T Technopolymer with push-in fitting F Nickel-plated brass with female thread	C For cylinder V For valve B Bidirectional	4: Ø 4 5: Ø 5 6: Ø 6 8: Ø 8 10: Ø 10 12: Ø 12 1/8: G 1/8" F 1/4: G 1/4" F 3/8: G 3/8" F	M5: M5 1/8: G 1/8" 1/4: G 1/4" 3/8: G 3/8" 1/2: G 1/2"

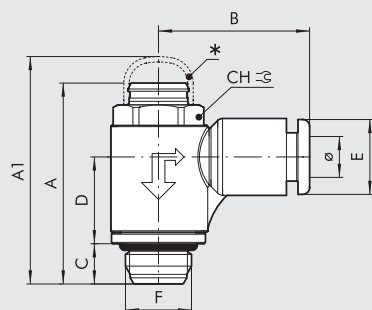
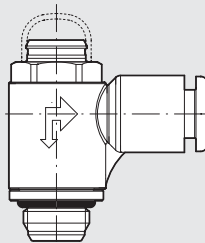
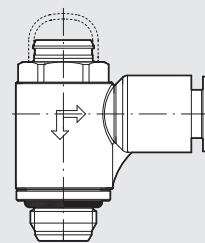
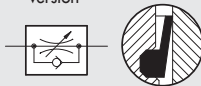
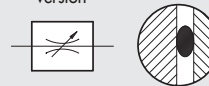
MRF COMPACT "O" BRASS RING



* OPTIONAL ANTI-TAMPERING CAP

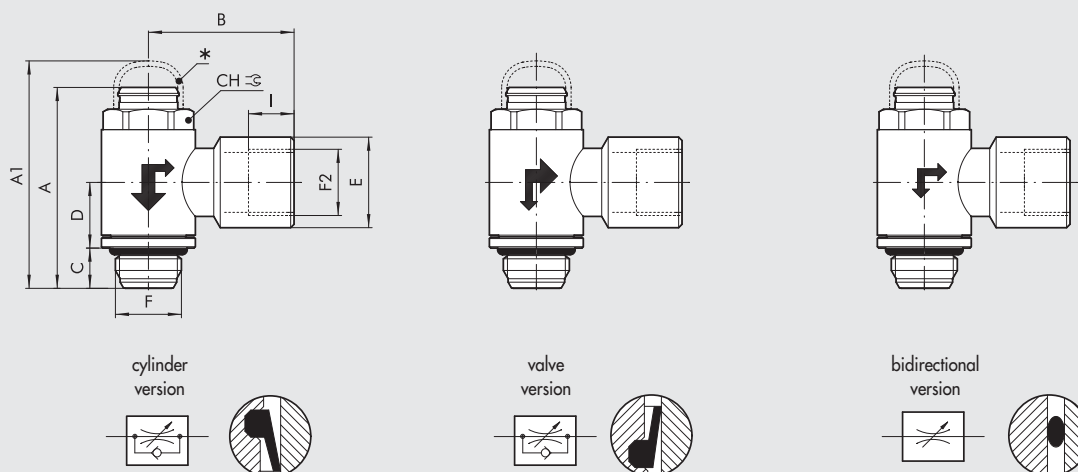
Code	Description	F	Ø	CH	A min	A max	A1	B	C	D	E
9001001C	MRF O M C 4 M5	M5	4	9	23.9	25	26.5	20.2	4	9.2	9.5
9001110V	MRF O M V 4 M5	M5	4	9	23.9	25	26.5	20.2	4	9.2	9.5
9001601B	MRF O M B 4 M5	M5	4	9	23.9	25	26.5	20.2	4	9.2	9.5
9001002C	MRF O M C 5 M5	M5	5	9	23.9	25	26.5	23.8	4	9.2	12
9001113V	MRF O M V 5 M5	M5	5	9	23.9	25	26.5	23.8	4	9.2	12
9001603B	MRF O M B 5 M5	M5	5	9	23.9	25	26.5	23.8	4	9.2	12
9001007C	MRF O M C 6 M5	M5	6	9	23.9	25	26.5	23.5	4	9.2	11.3
9001105V	MRF O M V 6 M5	M5	6	9	23.9	25	26.5	23.5	4	9.2	11.3
9001612B	MRF O M B 6 M5	M5	6	9	23.9	25	26.5	23.5	4	9.2	11.3
9001011C	MRF O M C 4 1/8	1/8	4	12	29.8	30.9	34	21.3	6	9.8	9.5
9001111V	MRF O M V 4 1/8	1/8	4	12	29.8	30.9	34	21.3	6	9.8	9.5
9001602B	MRF O M B 4 1/8	1/8	4	12	29.8	30.9	34	21.3	6	9.8	9.5
9001012C	MRF O M C 5 1/8	1/8	5	12	29.8	30.9	34	24.8	6	9.8	12
9001112V	MRF O M V 5 1/8	1/8	5	12	29.8	30.9	34	24.8	6	9.8	12
9001604B	MRF O M B 5 1/8	1/8	5	12	29.8	30.9	34	24.8	6	9.8	12
9001003C	MRF O M C 6 1/8	1/8	6	12	29.8	30.9	34	23	6	9.8	11.5
9001101V	MRF O M V 6 1/8	1/8	6	12	29.8	30.9	34	23	6	9.8	11.5
9001605B	MRF O M B 6 1/8	1/8	6	12	29.8	30.9	34	23	6	9.8	11.5
9001005C	MRF O M C 8 1/8	1/8	8	12	29.8	30.9	34	24.8	6	9.8	13.8
9001103V	MRF O M V 8 1/8	1/8	8	12	29.8	30.9	34	24.8	6	9.8	13.8
9001607B	MRF O M B 8 1/8	1/8	8	12	29.8	30.9	34	24.8	6	9.8	13.8
9001004C	MRF O M C 6 1/4	1/4	6	15	35.4	37	38.9	24.5	8	11.1	11.5
9001102V	MRF O M V 6 1/4	1/4	6	15	35.4	37	38.9	24.5	8	11.1	11.5
9001606B	MRF O M B 6 1/4	1/4	6	15	35.4	37	38.9	24.5	8	11.1	11.5
9001006C	MRF O M C 8 1/4	1/4	8	15	35.4	37	38.9	26.5	8	11.1	13.8
9001104V	MRF O M V 8 1/4	1/4	8	15	35.4	37	38.9	26.5	8	11.1	13.8
9001608B	MRF O M B 8 1/4	1/4	8	15	35.4	37	38.9	26.5	8	11.1	13.8
9001010C	MRF O M C 8 3/8	3/8	8	19	42.7	42.7	49.5	28.5	9	13.4	13.8
9001115V	MRF O M V 8 3/8	3/8	8	19	42.7	42.7	49.5	28.5	9	13.4	13.8
9001611B	MRF O M B 8 3/8	3/8	8	19	42.7	42.7	49.5	28.5	9	13.4	13.8
9001008C	MRF O M C 10 1/4	1/4	10	15	35.4	37	38.9	31.4	8	11.1	16.5
9001106V	MRF O M V 10 1/4	1/4	10	15	35.4	37	38.9	31.4	8	11.1	16.5
9001609B	MRF O M B 10 1/4	1/4	10	15	35.4	37	38.9	31.4	8	11.1	16.5
9001014C	MRF O M C 12 1/4	1/4	12	15	35.4	37	38.9	33	8	11.1	19.5
9001123V	MRF O M V 12 1/4	1/4	12	15	35.4	37	38.9	33	8	11.1	19.5
9001623B	MRF O M B 12 1/4	1/4	12	15	35.4	37	38.9	33	8	11.1	19.5
9001009C	MRF O M C 10 3/8	3/8	10	19	42.7	42.7	49.5	32.8	9	13.4	16
9001114V	MRF O M V 10 3/8	3/8	10	19	42.7	42.7	49.5	32.8	9	13.4	16
9001610B	MRF O M B 10 3/8	3/8	10	19	42.7	42.7	49.5	32.8	9	13.4	16
9001015C	MRF O M C 12 3/8	3/8	12	19	42.7	42.7	49.5	35.3	9	13.4	19.5
9001124V	MRF O M V 12 3/8	3/8	12	19	42.7	42.7	49.5	35.3	9	13.4	19.5
9001624B	MRF O M B 12 3/8	3/8	12	19	42.7	42.7	49.5	35.3	9	13.4	19.5
9001016C	MRF O M C 12 1/2	1/2	12	22	50.6	51.4	55.3	37	11	15.9	19.5
9001125V	MRF O M V 12 1/2	1/2	12	22	50.6	51.4	55.3	37	11	15.9	19.5
9001625B	MRF O M B 12 1/2	1/2	12	22	50.6	51.4	55.3	37	11	15.9	19.5

MRF COMPACT "O" TECHNOPOLYMER RING

cylinder
versionvalve
versionbidirectional
version

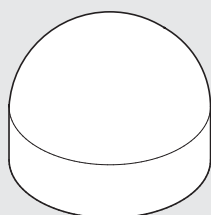
* OPTIONAL ANTI-TAMPERING CAP

Code	Description	F	Ø	CH	A min	A max	A1	B	C	D	E
9011001C	MRF OTC 4 M5	M5	4	9	23.9	25	26.5	19.1	4	9.5	9.2
9011110V	MRF OTV 4 M5	M5	4	9	23.9	25	26.5	19.1	4	9.5	9.2
9011601B	MRF OTB 4 M5	M5	4	9	23.9	25	26.5	19.1	4	9.5	9.2
9011007C	MRF OTC 6 M5	M5	6	9	23.9	25	26.5	20.8	4	9.5	11.3
9011105V	MRF OTV 6 M5	M5	6	9	23.9	25	26.5	20.8	4	9.5	11.3
9011612B	MRF OTB 6 M5	M5	6	9	23.9	25	26.5	20.8	4	9.5	11.3
9011011C	MRF OTC 4 1/8	1/8	4	12	29.8	30.9	34	21	6	12.9	9.2
9011111V	MRF OTV 4 1/8	1/8	4	12	29.8	30.9	34	21	6	12.9	9.2
9011602B	MRF OTB 4 1/8	1/8	4	12	29.8	30.9	34	21	6	12.9	9.2
9011003C	MRF OTC 6 1/8	1/8	6	12	29.8	30.9	34	22.3	6	12.9	11.3
9011101V	MRF OTV 6 1/8	1/8	6	12	29.8	30.9	34	22.3	6	12.9	11.3
9011605B	MRF OTB 6 1/8	1/8	6	12	29.8	30.9	34	22.3	6	12.9	11.3
9011005C	MRF OTC 8 1/8	1/8	8	12	29.8	30.9	34	25.6	6	12.9	13.8
9011103V	MRF OTV 8 1/8	1/8	8	12	29.8	30.9	34	25.6	6	12.9	13.8
9011607B	MRF OTB 8 1/8	1/8	8	12	29.8	30.9	34	25.6	6	12.9	13.8
9011004C	MRF OTC 6 1/4	1/4	6	15	35.4	37	38.9	24.3	8	15	11.3
9011102V	MRF OTV 6 1/4	1/4	6	15	35.4	37	38.9	24.3	8	15	11.3
9011606B	MRF OTB 6 1/4	1/4	6	15	35.4	37	38.9	24.3	8	15	11.3
9011006C	MRF OTC 8 1/4	1/4	8	15	35.4	37	38.9	27.2	8	15	13.8
9011104V	MRF OTV 8 1/4	1/4	8	15	35.4	37	38.9	27.2	8	15	13.8
9011608B	MRF OTB 8 1/4	1/4	8	15	35.4	37	38.9	27.2	8	15	13.8
9011008C	MRF OTC 10 1/4	1/4	10	15	35.4	37	38.9	28.6	8	15	16
9011106V	MRF OTV 10 1/4	1/4	10	15	35.4	37	38.9	28.6	8	15	16
9011609B	MRF OTB 10 1/4	1/4	10	15	35.4	37	38.9	28.6	8	15	16
9011014C	MRF OTC 12 1/4	1/4	12	15	35.4	37	38.9	31	8	15	19.5
9011123V	MRF OTV 12 1/4	1/4	12	15	35.4	37	38.9	31	8	15	19.5
9011623B	MRF OTB 12 1/4	1/4	12	15	35.4	37	38.9	31	8	15	19.5
9011009C	MRF OTC 10 3/8	3/8	10	19	42.7	42.7	49.5	30.3	9	17.9	16
9011114V	MRF OTV 10 3/8	3/8	10	19	42.7	42.7	49.5	30.3	9	17.9	16
9011610B	MRF OTB 10 3/8	3/8	10	19	42.7	42.7	49.5	30.3	9	17.9	16
9011015C	MRF OTC 12 3/8	3/8	12	19	42.7	42.7	49.5	32.4	9	17.9	19.5
9011124V	MRF OTV 12 3/8	3/8	12	19	42.7	42.7	49.5	32.4	9	17.9	19.5
9011624B	MRF OTB 12 3/8	3/8	12	19	42.7	42.7	49.5	32.4	9	17.9	19.5
9011016C	MRF OTC 12 1/2	1/2	12	22	50.6	51.4	55.3	34	11	20.1	19.5
9011125V	MRF OTV 12 1/2	1/2	12	22	50.6	51.4	55.3	34	11	20.1	19.5
9011625B	MRF OTB 12 1/2	1/2	12	22	50.6	51.4	55.3	34	11	20.1	19.5

MRF COMPACT "O" THREADED BRASS RING


* OPTIONAL ANTI-TAMPERING CAP

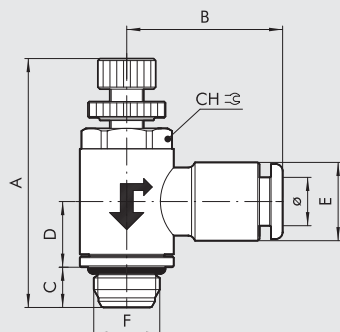
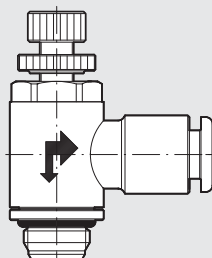
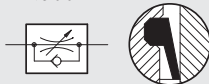
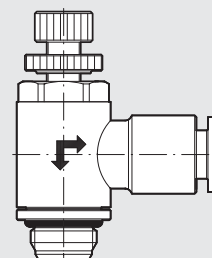
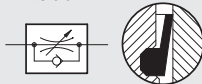
Code	Description	F	F2	CH	A min	A max	A1	B	C	D	E	I
9001020C	MRF O F C 1/8 1/8	1/8	1/8	12	29.8	30.9	34	21.4	6	9.8	13.3	6.7
9001120V	MRF O F V 1/8 1/8	1/8	1/8	12	29.8	30.9	34	21.4	6	9.8	13.3	6.7
9001620B	MRF O F B 1/8 1/8	1/8	1/8	12	29.8	30.9	34	21.4	6	9.8	13.3	6.7
9001021C	MRF O F C 1/4 1/4	1/4	1/4	15	35.4	37	38.9	25.5	8	11.1	16.7	8
9001121V	MRF O F V 1/4 1/4	1/4	1/4	15	35.4	37	38.9	25.5	8	11.1	16.7	8
9001621B	MRF O F B 1/4 1/4	1/4	1/4	15	35.4	37	38.9	25.5	8	11.1	16.7	8
9001022C	MRF O F C 3/8 3/8	3/8	3/8	19	42.7	42.7	49.5	31.5	9	13.4	20.2	10
9001122V	MRF O F V 3/8 3/8	3/8	3/8	19	42.7	42.7	49.5	31.5	9	13.4	20.2	10
9001622B	MRF O F B 3/8 3/8	3/8	3/8	19	42.7	42.7	49.5	31.5	9	13.4	20.2	10

ACCESSORIES MRF COMPACT "O"
ANTI-TAMPERING CAP


Code	Description
9090001	Cap MRF O M5
9090002	Cap MRF O 1/8-1/4
9090003	Cap MRF O 3/8-1/2

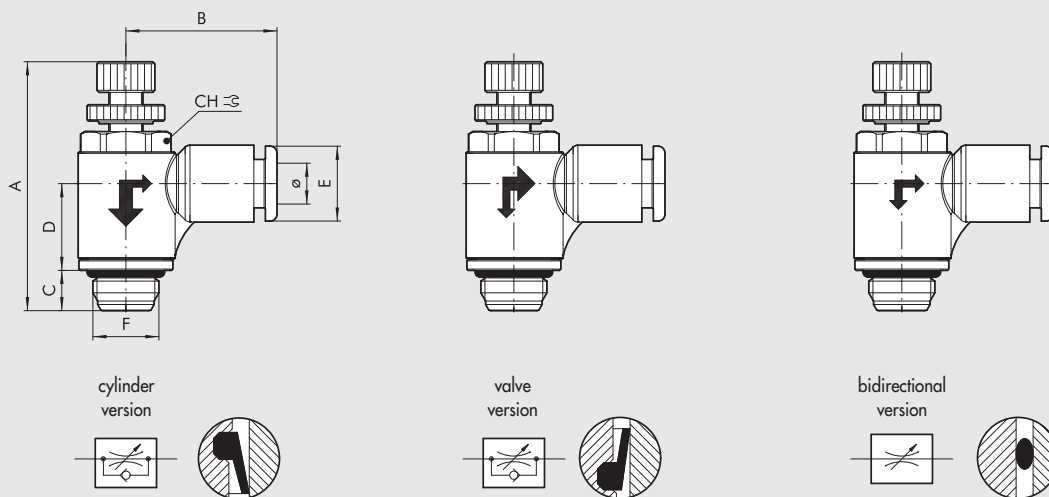
NOTE: Adjust the flow rate via the regulating pin.
Apply the anti-tampering cap and press on firmly to prevent access to the regulation pin.
If the MRF needs to be recalibrated, remove the cap using the grippers provided.
IMPORTANT: The cap cannot be re-used after it has been removed.

MRF COMPACT "N" BRASS RING

cylinder
versionvalve
versionbidirectional
version

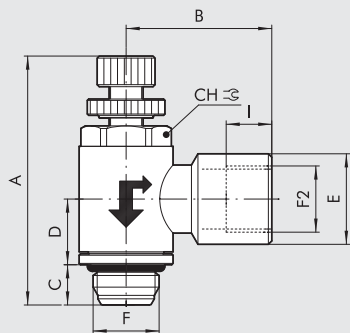
Code	Description	F	Ø	CH	A min	A max	B	C	D	E
9031001C	MRF N M C 4 M5	M5	4	9	27.7	31	20.2	4	9.2	9.5
9031101V	MRF N M V 4 M5	M5	4	9	27.7	31	20.2	4	9.2	9.5
9031201B	MRF N M B 4 M5	M5	4	9	27.7	31	20.2	4	9.2	9.5
9031003C	MRF N M C 5 M5	M5	5	9	27.7	31	23.8	4	9.2	12
9031103V	MRF N M V 5 M5	M5	5	9	27.7	31	23.8	4	9.2	12
9031203B	MRF N M B 5 M5	M5	5	9	27.7	31	23.8	4	9.2	12
9031005C	MRF N M C 6 M5	M5	6	9	27.7	31	23.5	4	9.2	11.3
9031105V	MRF N M V 6 M5	M5	6	9	27.7	31	23.5	4	9.2	11.3
9031205B	MRF N M B 6 M5	M5	6	9	27.7	31	23.5	4	9.2	11.3
9031002C	MRF N M C 4 1/8	1/8	4	12	33.5	37.6	21.3	6	9.8	9.5
9031102V	MRF N M V 4 1/8	1/8	4	12	33.5	37.6	21.3	6	9.8	9.5
9031202B	MRF N M B 4 1/8	1/8	4	12	33.5	37.6	21.3	6	9.8	9.5
9031004C	MRF N M C 5 1/8	1/8	5	12	33.5	37.6	24.8	6	9.8	12
9031104V	MRF N M V 5 1/8	1/8	5	12	33.5	37.6	24.8	6	9.8	12
9031204B	MRF N M B 5 1/8	1/8	5	12	33.5	37.6	24.8	6	9.8	12
9031006C	MRF N M C 6 1/8	1/8	6	12	33.5	37.6	23	6	9.8	11.5
9031106V	MRF N M V 6 1/8	1/8	6	12	33.5	37.6	23	6	9.8	11.5
9031206B	MRF N M B 6 1/8	1/8	6	12	33.5	37.6	23	6	9.8	11.5
9031008C	MRF N M C 8 1/8	1/8	8	12	33.5	37.6	24.8	6	9.8	13.8
9031108V	MRF N M V 8 1/8	1/8	8	12	33.5	37.6	24.8	6	9.8	13.8
9031208B	MRF N M B 8 1/8	1/8	8	12	33.5	37.6	24.8	6	9.8	13.8
9031007C	MRF N M C 6 1/4	1/4	6	15	38.8	43.7	24.5	8	11.1	11.5
9031107V	MRF N M V 6 1/4	1/4	6	15	38.8	43.7	24.5	8	11.1	11.5
9031207B	MRF N M B 6 1/4	1/4	6	15	38.8	43.7	24.5	8	11.1	11.5
9031009C	MRF N M C 8 1/4	1/4	8	15	38.8	43.7	26.5	8	11.1	13.8
9031109V	MRF N M V 8 1/4	1/4	8	15	38.8	43.7	26.5	8	11.1	13.8
9031209B	MRF N M B 8 1/4	1/4	8	15	38.8	43.7	26.5	8	11.1	13.8
9031010C	MRF N M C 8 3/8	3/8	8	19	47.2	52	28.5	9	13.4	13.8
9031110V	MRF N M V 8 3/8	3/8	8	19	47.2	52	28.5	9	13.4	13.8
9031210B	MRF N M B 8 3/8	3/8	8	19	47.2	52	28.5	9	13.4	13.8
9031011C	MRF N M C 10 1/4	1/4	10	15	38.8	43.7	31.4	8	11.1	16.5
9031111V	MRF N M V 10 1/4	1/4	10	15	38.8	43.7	31.4	8	11.1	16.5
9031211B	MRF N M B 10 1/4	1/4	10	15	38.8	43.7	31.4	8	11.1	16.5
9031014C	MRF N M C 12 1/4	1/4	12	15	38.8	43.7	33	8	11.1	19.5
9031114V	MRF N M V 12 1/4	1/4	12	15	38.8	43.7	33	8	11.1	19.5
9031214B	MRF N M B 12 1/4	1/4	12	15	38.8	43.7	33	8	11.1	19.5
9031012C	MRF N M C 10 3/8	3/8	10	19	47.2	52	32.8	9	13.4	16
9031112V	MRF N M V 10 3/8	3/8	10	19	47.2	52	32.8	9	13.4	16
9031212B	MRF N M B 10 3/8	3/8	10	19	47.2	52	32.8	9	13.4	16
9031015C	MRF N M C 12 3/8	3/8	12	19	47.2	52	35.3	9	13.4	19.5
9031115V	MRF N M V 12 3/8	3/8	12	19	47.2	52	35.3	9	13.4	19.5
9031215B	MRF N M B 12 3/8	3/8	12	19	47.2	52	35.3	9	13.4	19.5
9031016C	MRF N M C 12 1/2	1/2	12	22	53	59.8	37	11	15.9	19.5
9031116V	MRF N M V 12 1/2	1/2	12	22	53	59.8	37	11	15.9	19.5
9031216B	MRF N M B 12 1/2	1/2	12	22	53	59.8	37	11	15.9	19.5

MRF COMPACT "N" TECHNOLOGY RING

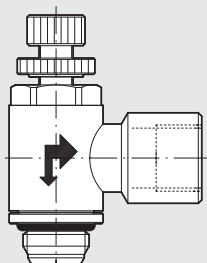


Code	Description	F	Ø	CH	A min	A max	B	C	D	E
9021001C	MRF NTC 4 M5	M5	4	9	27.7	31	19.1	4	9.5	9.2
9021101V	MRF NTV 4 M5	M5	4	9	27.7	31	19.1	4	9.5	9.2
9021201B	MRF NTB 4 M5	M5	4	9	27.7	31	19.1	4	9.5	9.2
9021005C	MRF NTC 6 M5	M5	6	9	27.7	31	20.8	4	9.5	11.3
9021105V	MRF NTV 6 M5	M5	6	9	27.7	31	20.8	4	9.5	11.3
9021205B	MRF NTB 6 M5	M5	6	9	27.7	31	20.8	4	9.5	11.3
9021002C	MRF NTC 4 1/8	1/8	4	12	33.5	37.6	21	6	12.9	9.2
9021102V	MRF NTV 4 1/8	1/8	4	12	33.5	37.6	21	6	12.9	9.2
9021202B	MRF NTB 4 1/8	1/8	4	12	33.5	37.6	21	6	12.9	9.2
9021006C	MRF NTC 6 1/8	1/8	6	12	33.5	37.6	22.3	6	12.9	11.3
9021106V	MRF NTV 6 1/8	1/8	6	12	33.5	37.6	22.3	6	12.9	11.3
9021206B	MRF NTB 6 1/8	1/8	6	12	33.5	37.6	22.3	6	12.9	11.3
9021008C	MRF NTC 8 1/8	1/8	8	12	33.5	37.6	25.6	6	12.9	13.8
9021108V	MRF NTV 8 1/8	1/8	8	12	33.5	37.6	25.6	6	12.9	13.8
9021208B	MRF NTB 8 1/8	1/8	8	12	33.5	37.6	25.6	6	12.9	13.8
9021007C	MRF NTC 6 1/4	1/4	6	15	38.8	43.7	24.3	8	15	11.3
9021107V	MRF NTV 6 1/4	1/4	6	15	38.8	43.7	24.3	8	15	11.3
9021207B	MRF NTB 6 1/4	1/4	6	15	38.8	43.7	24.3	8	15	11.3
9021009C	MRF NTC 8 1/4	1/4	8	15	38.8	43.7	27.2	8	15	13.8
9021109V	MRF NTV 8 1/4	1/4	8	15	38.8	43.7	27.2	8	15	13.8
9021209B	MRF NTB 8 1/4	1/4	8	15	38.8	43.7	27.2	8	15	13.8
9021011C	MRF NTC 10 1/4	1/4	10	15	38.8	43.7	28.6	8	15	16
9021111V	MRF NTV 10 1/4	1/4	10	15	38.8	43.7	28.6	8	15	16
9021211B	MRF NTB 10 1/4	1/4	10	15	38.8	43.7	28.6	8	15	16
9021014C	MRF NTC 12 1/4	1/4	12	15	38.8	43.7	31	8	15	19.5
9021114V	MRF NTV 12 1/4	1/4	12	15	38.8	43.7	31	8	15	19.5
9021214B	MRF NTB 12 1/4	1/4	12	15	38.8	43.7	31	8	15	19.5
9021012C	MRF NTC 10 3/8	3/8	10	19	47.2	52	30.3	9	17.9	16
9021112V	MRF NTV 10 3/8	3/8	10	19	47.2	52	30.3	9	17.9	16
9021212B	MRF NTB 10 3/8	3/8	10	19	47.2	52	30.3	9	17.9	16
9021015C	MRF NTC 12 3/8	3/8	12	19	47.2	52	32.4	9	17.9	19.5
9021115V	MRF NTV 12 3/8	3/8	12	19	47.2	52	32.4	9	17.9	19.5
9021215B	MRF NTB 12 3/8	3/8	12	19	47.2	52	32.4	9	17.9	19.5
9021016C	MRF NTC 12 1/2	1/2	12	22	53	59.8	34	11	20.1	19.5
9021116V	MRF NTV 12 1/2	1/2	12	22	53	59.8	34	11	20.1	19.5
9021216B	MRF NTB 12 1/2	1/2	12	22	53	59.8	34	11	20.1	19.5

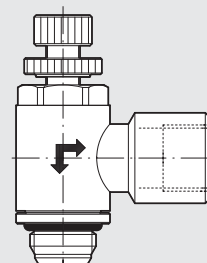
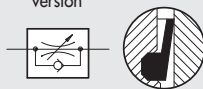
MRF COMPACT "N" THREADED BRASS RING



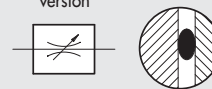
cylinder version



valve version



bidirectional version



Code	Description	F	F2	CH	A min	A max	B	C	D	E	I
9031301C	MRF N F C 1/8 1/8	1/8	1/8	12	33.5	37.6	21.4	6	9.8	13.3	6.7
9031401V	MRF N F V 1/8 1/8	1/8	1/8	12	33.5	37.6	21.4	6	9.8	13.3	6.7
9031501B	MRF N F B 1/8 1/8	1/8	1/8	12	33.5	37.6	21.4	6	9.8	13.3	6.7
9031302C	MRF N F C 1/4 1/4	1/4	1/4	15	38.8	43.7	25.5	8	11.1	16.7	8
9031402V	MRF N F V 1/4 1/4	1/4	1/4	15	38.8	43.7	25.5	8	11.1	16.7	8
9031502B	MRF N F B 1/4 1/4	1/4	1/4	15	38.8	43.7	25.5	8	11.1	16.7	8
9031303C	MRF N F C 3/8 3/8	3/8	3/8	19	47.2	52	31.5	9	13.4	20.2	10
9031403V	MRF N F V 3/8 3/8	3/8	3/8	19	47.2	52	31.5	9	13.4	20.2	10
9031503B	MRF N F B 3/8 3/8	3/8	3/8	19	47.2	52	31.5	9	13.4	20.2	10

FLOW MICRO-REGULATOR SERIES MRF HIGH-FLOW

**METAL
WORK**[®]
P N E U M A T I C

Main features:

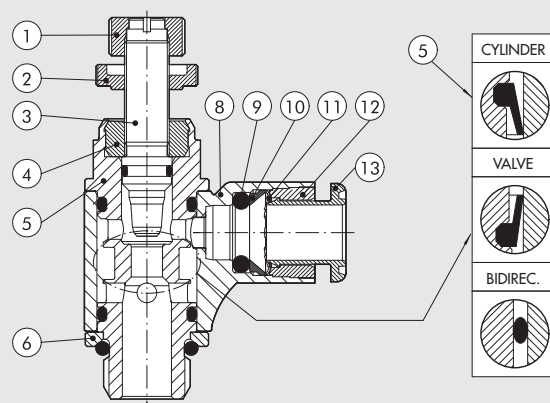
- high flow rate during regulation and discharge
- excellent regulation features
- regulation using a screwdriver and/or a knob and fixing using a ring nut
- available in sizes 1/8" and 1/4" only with a technopolymer ring
- can be mounted with an automatic screwdriver
- fitted with a swivel ring with the MRF mounted in position.



TECHNICAL DATA		1/8"			1/4"			
		Ø 4	Ø 6	Ø 8	Ø 6	Ø 8	Ø 10	Ø 12
Pipe								
Max input pressure	MPa				1			
	bar				10			
	psi				145			
Temperature range: technopolymer ring	°C				- 10 to + 50			
	°F				+ 14 to + 122			
Max flow rate on regulation at 6.3 bar	NI/min	500	600	650	850	900	1150	1200
Max flow rate on exhaust at 6.3 bar with closed needle	NI/min	400	500	600	700	850	875	950
Max flow rate on exhaust at 6.3 bar with open needle	NI/min	500	750	900	1000	1250	1350	1450
Regulation		Manual or via screwdriver						
Internal system		Tapered needle						
Fluid		Filtered, lubricated or unlubricated compressed air						

COMPONENTS

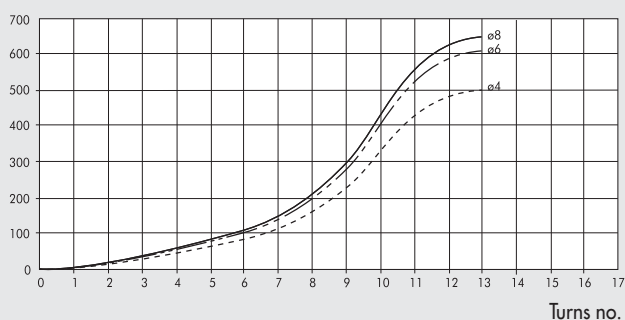
- 1 Nickel-plated brass knob
- 2 Nickel-plated brass securing ring nut
- 3 Brass needle
- 4 Nickel-plated brass bush
- 5 Nickel-plated brass body
- 6 Nickel-plated brass retaining ring
- 7 NBR gasket
- 8 Technopolymer swivel ring
- 9 NBR gasket
- 10 Technopolymer spring supporting ring
- 11 Stainless steel grabbing spring
- 12 Technopolymer retaining bush
- 13 Technopolymer release bush



FLOW CHARTS

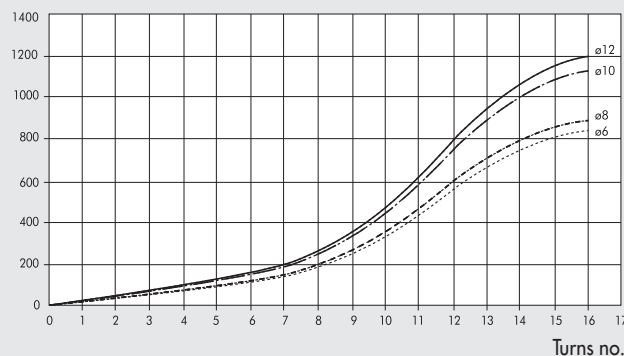
MRF 1/8" - PIPE Ø 4 - Ø 6 - Ø 8

Flow rate (NI/min)

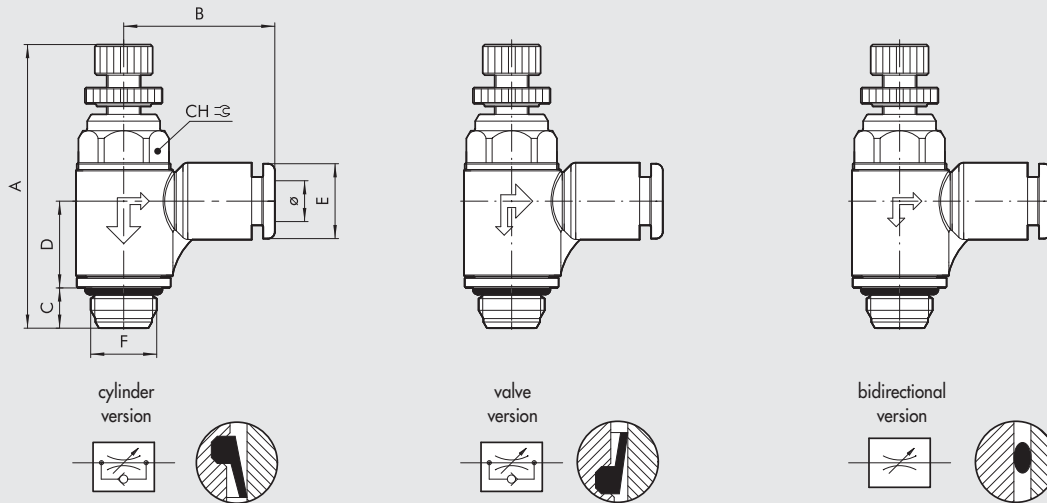


MRF 1/4" - PIPE Ø 6 - Ø 8 - Ø 10 - Ø 12

Flow rate (NI/min)



MRF HIGH-FLOW



Code	Description	F	Ø	CH	A min	A max	B	C	D	E
9025002C	MRF H T C 4 1/8	1/8	4	12	38.5	43.3	21	6	12.9	9.2
9025102V	MRF H T V 4 1/8	1/8	4	12	38.5	43.3	21	6	12.9	9.2
9025602B	MRF H T B 4 1/8	1/8	4	12	38.5	43.3	21	6	12.9	9.2
9025006C	MRF H T C 6 1/8	1/8	6	12	38.5	43.3	22.3	6	12.9	11.3
9025106V	MRF H T V 6 1/8	1/8	6	12	38.5	43.3	22.3	6	12.9	11.3
9025606B	MRF H T B 6 1/8	1/8	6	12	38.5	43.3	22.3	6	12.9	11.3
9025008C	MRF H T C 8 1/8	1/8	8	12	38.5	43.3	25.6	6	12.9	13.8
9025108V	MRF H T V 8 1/8	1/8	8	12	38.5	43.3	25.6	6	12.9	13.8
9025608B	MRF H T B 8 1/8	1/8	8	12	38.5	43.3	25.6	6	12.9	13.8
9025007C	MRF H T C 6 1/4	1/4	6	15	44.3	49.8	24.3	8	15	11.3
9025107V	MRF H T V 6 1/4	1/4	6	15	44.3	49.8	24.3	8	15	11.3
9025607B	MRF H T B 6 1/4	1/4	6	15	44.3	49.8	24.3	8	15	11.3
9025009C	MRF H T C 8 1/4	1/4	8	15	44.3	49.8	27.2	8	15	13.8
9025109V	MRF H T V 8 1/4	1/4	8	15	44.3	49.8	27.2	8	15	13.8
9025609B	MRF H T B 8 1/4	1/4	8	15	44.3	49.8	27.2	8	15	13.8
9025011C	MRF H T C 10 1/4	1/4	10	15	44.3	49.8	28.6	8	15	16
9025111V	MRF H T V 10 1/4	1/4	10	15	44.3	49.8	28.6	8	15	16
9025611B	MRF H T B 10 1/4	1/4	10	15	44.3	49.8	28.6	8	15	16
9025014C	MRF H T C 12 1/4	1/4	12	15	44.3	49.8	31	8	15	19.5
9025114V	MRF H T V 12 1/4	1/4	12	15	44.3	49.8	31	8	15	19.5
9025614B	MRF H T B 12 1/4	1/4	12	15	44.3	49.8	31	8	15	19.5

SYNOPTIC, SIZES AND VERSIONS

M R F FAMILY	H TYPE	T RING	C FUNCTION	4 Ø PIPE	M5 Ø THREAD
Flow microregulator	H High flow	T Technopolymer with push-in fitting	C For cylinder V For valve B Bidirectional	4: Ø 4 6: Ø 6 8: Ø 8 10: Ø 10 12: Ø 12	1/8: G 1/8" 1/4: G 1/4"

FLOW MICRO-REGULATOR SERIES MRF PUSH-LOCK

**METAL
WORK**[®]
P N E U M A T I C

Main features:

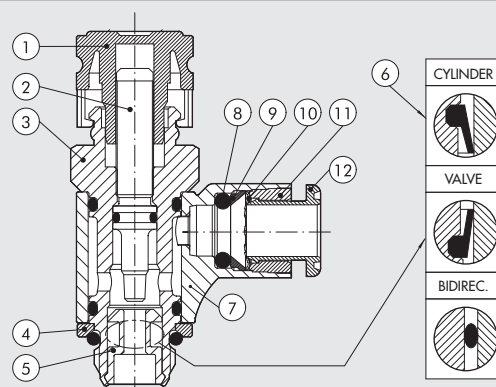
- excellent regulation
- regulation with a push-lock knob: when the desired position has been reached, the knob can be moved to the lock position to maintain the set regulation
- possibility of purchasing the anti-tampering cap that, when pushed into the lock position, prevents the MRF from being operated and any undesired regulation
- available in the sizes 1/8" and 1/4" only with a technopolymer ring
- can be fitted with an automatic screwdriver
- come with a swivel ring with the MRF mounted in position.



TECHNICAL DATA		1/8"			1/4"			
		Ø 4	Ø 6	Ø 8	Ø 6	Ø 8	Ø 10	Ø 12
Pipe								
Max. input pressure	MPa				1			
	bar				10			
	psi				145			
Temperature range: technopolymer ring	°C				- 10 to + 50			
	°F				+ 14 to + 122			
Max. flow rate on regulation at 6.3 bar	Nl/min	350	380	400	750	850	950	1000
Max. flow rate on exhaust at 6.3 with closed needle	Nl/min	300	350	390	450	475	500	550
Max. flow rate on exhaust at 6.3 with open needle	Nl/min	450	600	650	850	1050	1150	1250
Regulation		Manual with Push-Lock knob						
Internal system		Tapered needle						
Fluid		Filtered, lubricated or unlubricated compressed air						

COMPONENTS

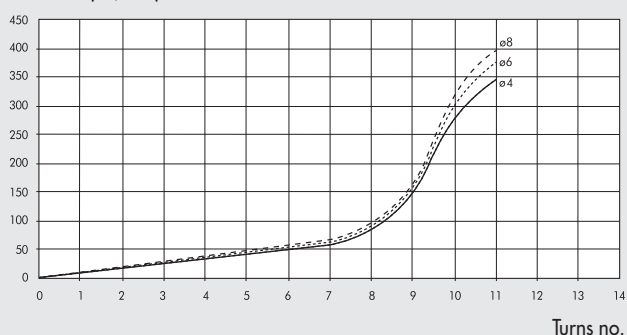
- ① Technopolymer knob
- ② Brass needle
- ③ Nickel-plated brass body
- ④ Nickel-plated brass retaining ring
- ⑤ Brass gasket holder insert
- ⑥ NBR gasket
- ⑦ Technopolymer revolving ring
- ⑧ NBR gasket
- ⑨ Technopolymer spring supporting ring
- ⑩ Stainless steel grabbing spring
- ⑪ Technopolymer retaining bush
- ⑫ Technopolymer release bush



FLOW CHARTS

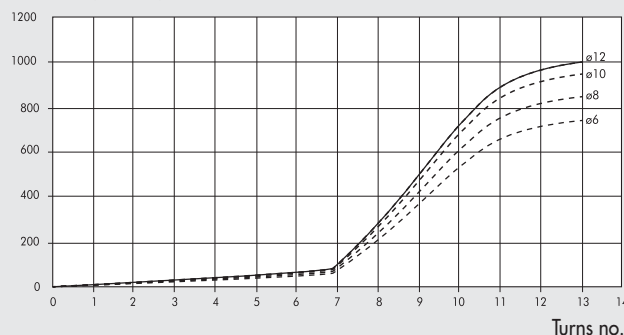
MRF 1/8" - PIPE Ø 4 - Ø 6 - Ø 8

Flow rate (Nl/min)

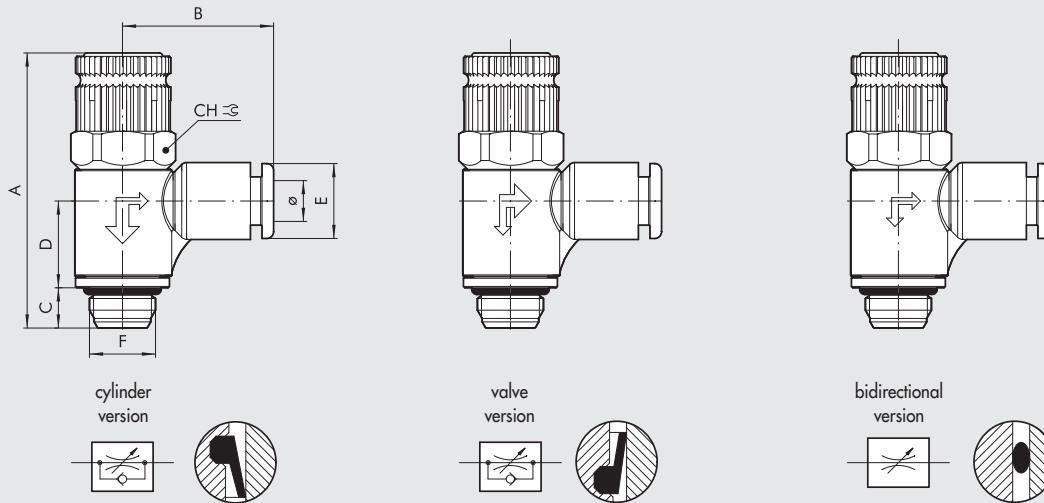


MRF 1/4" - PIPE Ø 6 - Ø 8 - Ø 10 - Ø 12

Flow rate (Nl/min)



MRF PUSH-LOCK



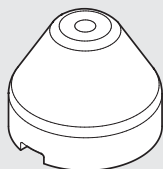
Code	Description	F	Ø	CH	A min	A max	B	C	D	E
9026002C	MRF PTC 4 1/8	1/8	4	14	41.2	43.4	21	6	12.9	9.2
9026102V	MRF PTV 4 1/8	1/8	4	14	41.2	43.4	21	6	12.9	9.2
9026602B	MRF PTB 4 1/8	1/8	4	14	41.2	43.4	21	6	12.9	9.2
9026006C	MRF PTC 6 1/8	1/8	6	14	41.2	43.4	22.3	6	12.9	11.3
9026106V	MRF PTV 6 1/8	1/8	6	14	41.2	43.4	22.3	6	12.9	11.3
9026606B	MRF PTB 6 1/8	1/8	6	14	41.2	43.4	22.3	6	12.9	11.3
9026008C	MRF PTC 8 1/8	1/8	8	14	41.2	43.4	25.6	6	12.9	13.8
9026108V	MRF PTV 8 1/8	1/8	8	14	41.2	43.4	25.6	6	12.9	13.8
9026608B	MRF PTB 8 1/8	1/8	8	14	41.2	43.4	25.6	6	12.9	13.8
9026007C	MRF PTC 6 1/4	1/4	6	15	46.6	48.8	24.3	8	15	11.3
9026107V	MRF PTV 6 1/4	1/4	6	15	46.6	48.8	24.3	8	15	11.3
9026607B	MRF PTB 6 1/4	1/4	6	15	46.6	48.8	24.3	8	15	11.3
9026009C	MRF PTC 8 1/4	1/4	8	15	46.6	48.8	27.2	8	15	13.8
9026109V	MRF PTV 8 1/4	1/4	8	15	46.6	48.8	27.2	8	15	13.8
9026609B	MRF PTB 8 1/4	1/4	8	15	46.6	48.8	27.2	8	15	13.8
9026011C	MRF PTC 10 1/4	1/4	10	15	46.6	48.8	28.6	8	15	16
9026111V	MRF PTV 10 1/4	1/4	10	15	46.6	48.8	28.6	8	15	16
9026611B	MRF PTB 10 1/4	1/4	10	15	46.6	48.8	28.6	8	15	16
9026014C	MRF PTC 12 1/4	1/4	12	15	46.6	48.8	31	8	15	19.5
9026114V	MRF PTV 12 1/4	1/4	12	15	46.6	48.8	31	8	15	19.5
9026614B	MRF PTB 12 1/4	1/4	12	15	46.6	48.8	31	8	15	19.5

SYNOPTIC, SIZES AND VERSIONS

M R F FAMILY	P TYPE	T RING	C RING	4 Ø PIPE	1/8 Ø THREAD
Flow microregulator	P Push-lock	T Technopolymer with push-in fitting	C For cylinder V For valve B Bidirectional	4: Ø 4 6: Ø 6 8: Ø 8 10: Ø 10 12: Ø 12	1/8: G 1/8" 1/4: G 1/4"

ACCESSORIES MRF PUSH-LOCK

ANTI-TAMPERING KNOB



Code	Description
9200703	Anti-tampering knob

NOTE: Remove the knob on the Push-Lock MRF by pulling outwards. Fit on the anti-tampering knob and make the necessary settings.

When the MRF has been set, press the knob firmly until it locks in position. If the MRF needs to be recalibrated, remove the anti-tampering knob and push laterally using a screwdriver.

IN-LINE FLOW REGULATOR SERIES RFL

**METAL
WORK**[®]
P N E U M A T I C

The in-line flow regulator regulates the speed of the piston rod in the pneumatic cylinders.

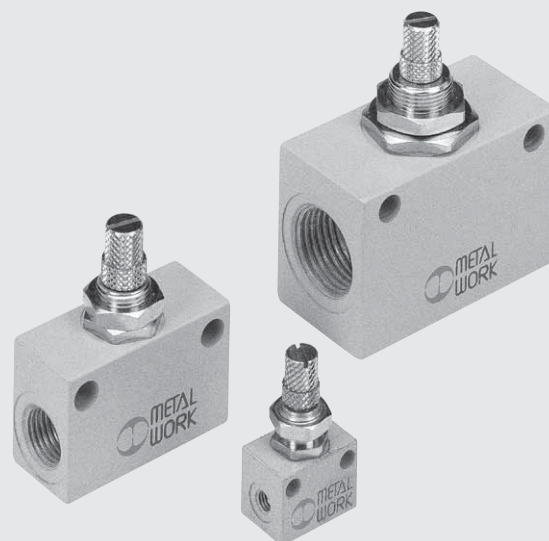
Two versions are available:

- type U (unidirectional) regulates the flow only in one of the two directions of air flow.
- type B (bidirectional) regulates the flow in both directions of air flow.

Regulation: manual or with a screwdriver.

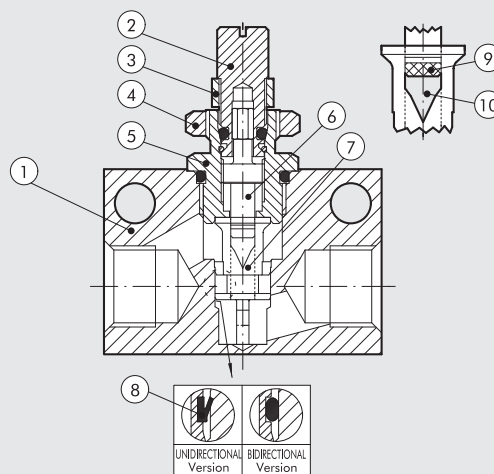
Max. temperature 70°C (158°F)

Max. pressure: 10 bar (1MPa-145 psi)

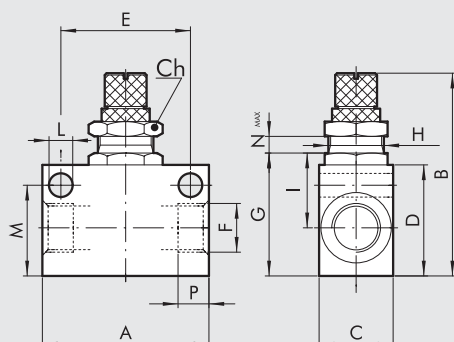


COMPONENTS

- ① Aluminium block
- ② Brass adjusting knob
- ③ Brass knob locking ring nut
- ④ Brass wall locking ring nut
- ⑤ Brass nipple
- ⑥ Brass regulation needle
- ⑦ Technopolymer gasket insert
- ⑧ NBR gasket
- ⑨ Part of needle
- ⑩ Flow window



DIMENSIONS

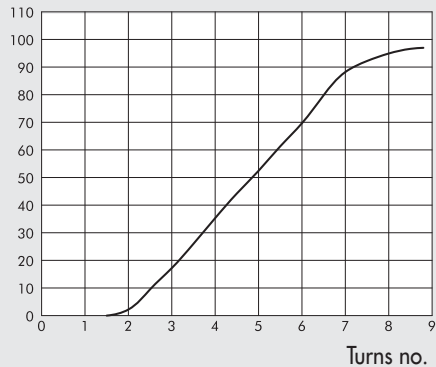


THREAD F	M5	1/8	1/4	3/8	1/2
P	4.2	7	8	10	11
E	15	25	35	35	44
H	M10x0.75	M12x1	M12x1	M15x1	M15x1
Nmax	3.3	5.5	5	7.5	7.5
A	21	31	45	50	59
B	37	48	53.5	59	67
C	14	16	20	25	30
G	18	25	33	34	43.5
I	11.6	15	22	22	24
D	16	22	30	30	40
M	12.5	18.2	24.5	25.5	35
Ch	12	16	16	20	20
L	4.2	4.2	6.5	6.5	6.5

FLOW CHARTS Pm = 6 bar

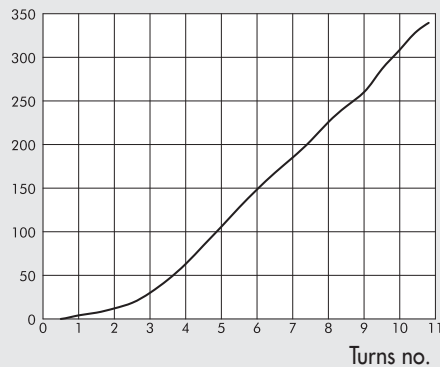
RFL M5

Flow rate (Nl/min)



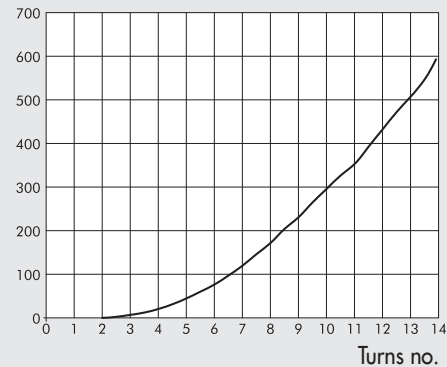
RFL G 1/8"

Flow rate (Nl/min)



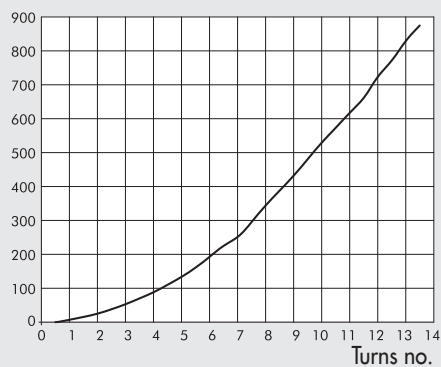
RFL G 1/4"

Flow rate (Nl/min)



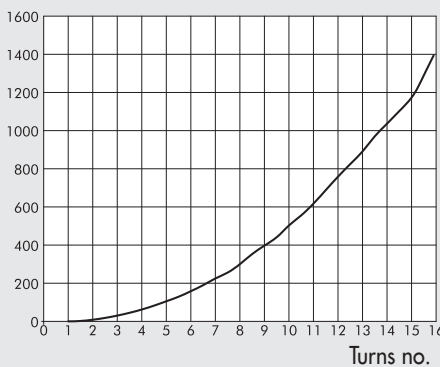
RFL G 3/8"

Flow rate (Nl/min)



RFL G 1/2"

Flow rate (Nl/min)

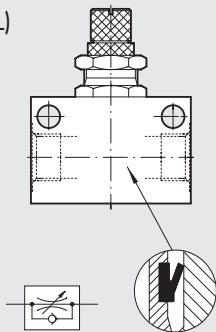


IN-LINE FLOW REGULATOR SERIES RFL

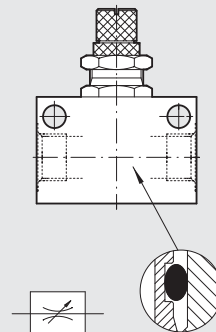
ACCESSORIES

ORDERING CODES

RFL U (UNIDIRECTIONAL)



RFL B (BIDIRECTIONAL)



Code	Ref.
9041001	RFL U M5
9041002	RFL U 1/8
9041003	RFL U 1/4
9041004	RFL U 3/8
9041005	RFL U 1/2

Code	Ref.
9041201	RFL B M5
9041202	RFL B 1/8
9041203	RFL B 1/4
9041204	RFL B 3/8
9041205	RFL B 1/2