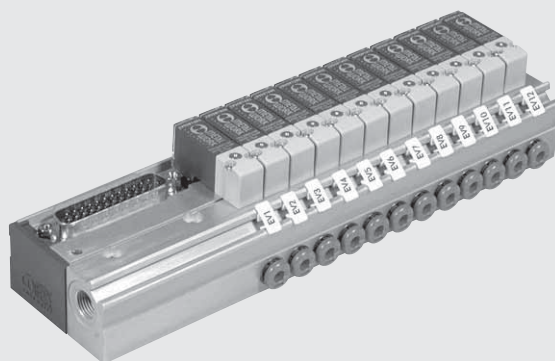


# BASES FOR PLT-10 MULTIPLE CONNECTION

Series PLT-10 solenoid valves can be mounted on bases complete with electrical and pneumatic connections, from 4 to 24 positions. The electric contacts of each valve are linked to a single multiple connector via a printed circuit board. The connector has 9 pins or 25 pins, depending on the model and the number of valves that can be mounted. **Versions with 25-pin connectors can interface with standard field buses by means of Profibus-DP modules for Multimach (see page B2.155).**

The compressed-air supply is common to all the valves and can be provided on either side of the base by means of a 1/8" fitting. Connection to the utilities is via automatic integrated cartridges for Ø 4 pipe. The solenoid valve outlet is free, in a slot in the base. The bases can be secured from above using M3 screws, or on a DIN bar using a bracket (see accessories).

The bases can mount various types of PLT-10 solenoid valves: 3/2 NC, 3/2 NO, with or without a manual actuator. With this modular system, you can select the desired sequence of valves (NC, NO, blind) and change it at any time.



DISTRIBUTORS

BASES FOR PLT-10 MULTIPLE CONNECTION

## TECHNICAL DATA

Supply voltage		12 VDC or 24 VDC
Max input	W	0.7 per position for PLT-10 STD without LED 0.9 per position for PLT-10 STD with LED 3/0.3 per position for PLT-10 NC with Speed-up 3/0.7 per position for PLT-10 NO with Speed-up 4.2/0.7 per position for PLT-10 NC with Speed-up high flow
Valve actuation indicator		Led mounted on the PLT-10 (on versions of solenoid valve where envisaged)
Operating temperature range	°C	5 to 50
Protection degree (with valves and connectors mounted)		IP 40
Maximum number of mountable PLT-10s		24
Number of contacts		9, of which 1 common, for versions with 4 and 8 positions 25, of which 1 common, for versions with 4, 8, 12, 16, 20, 24 positions

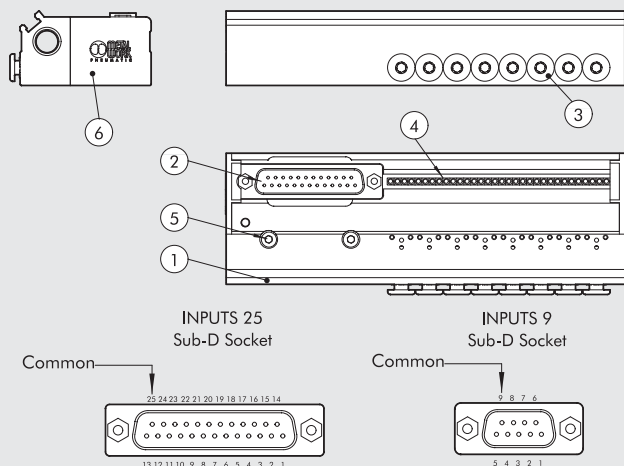
## COMPONENTS

- ① Anodized aluminium base
- ② Multi-pin electrical connector
- ③ Automatic integrated cartridges for Ø 4 pipe
- ④ Electrical connectors for PLT-10 solenoid valves mounted on printed circuit board
- ⑤ Securing screw
- ⑥ Technopolymer cover

## CONNECTION DIAGRAM

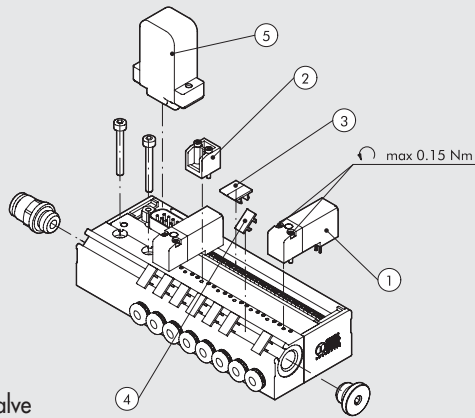
25 PIN		9 PIN	
Position of electrical contact	Nr° PLT	Position of electrical contact	Nr° PLT
1	PLT1	1	PLT1
2	PLT2	2	PLT2
3	PLT3	3	PLT3
4	PLT4	4	PLT4
5	PLT5	5	PLT5
6	PLT6	6	PLT6
7	PLT7	7	PLT7
8	PLT8	8	PLT8
9	PLT9	9	COMMON (-)
10	PLT10		
11	PLT11		
12	PLT12		
13	PLT13		
14	PLT14		
15	PLT15		
16	PLT16		
17	PLT17		
18	PLT18		
19	PLT19		
20	PLT20		
21	PLT21		
22	PLT22		
23	PLT23		
24	PLT24		
25	COMMON (-)		

Pilot numbering from left to right, starting from the position closest to the connection.

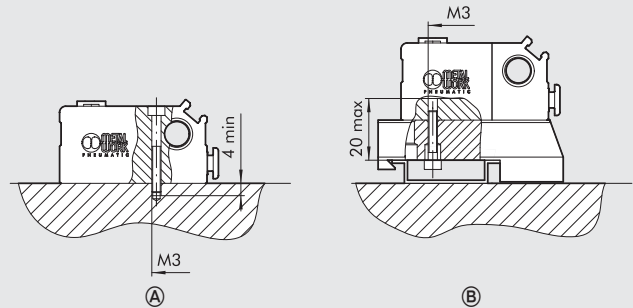


ASSEMBLY OF SOLENOID VALVES AND ACCESSORIES

HOW TO SECURE THE BASE

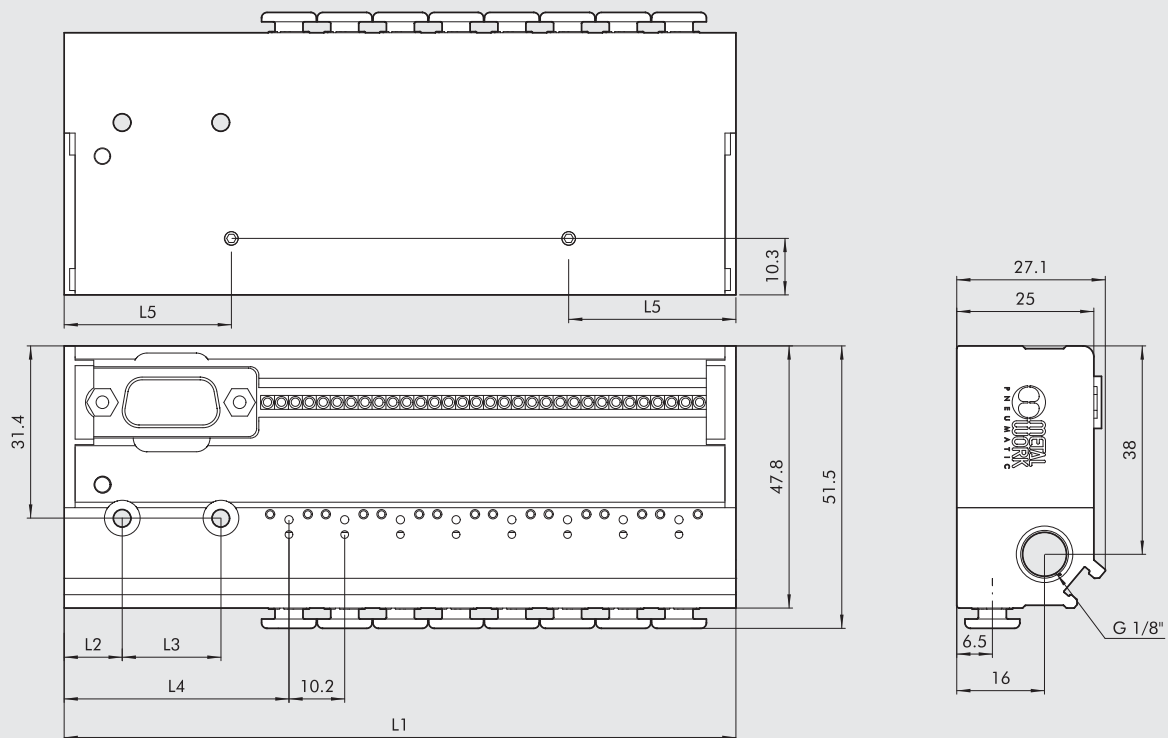


- ① Solenoid valve
- ② Pneumatic circuit cap for blind position
- ③ Electric circuit cap for blind position (use two identification labels)
- ④ Identification label
- ⑤ Electrical connector



- Ⓐ From above using M3 screws
- Ⓑ On a DIN bar, using the bracket and screws provided  
The bases come with the rear holes plugged by provided dowels.

CODES AND DIMENSIONS FOR BASES 9 AND 25 PINS

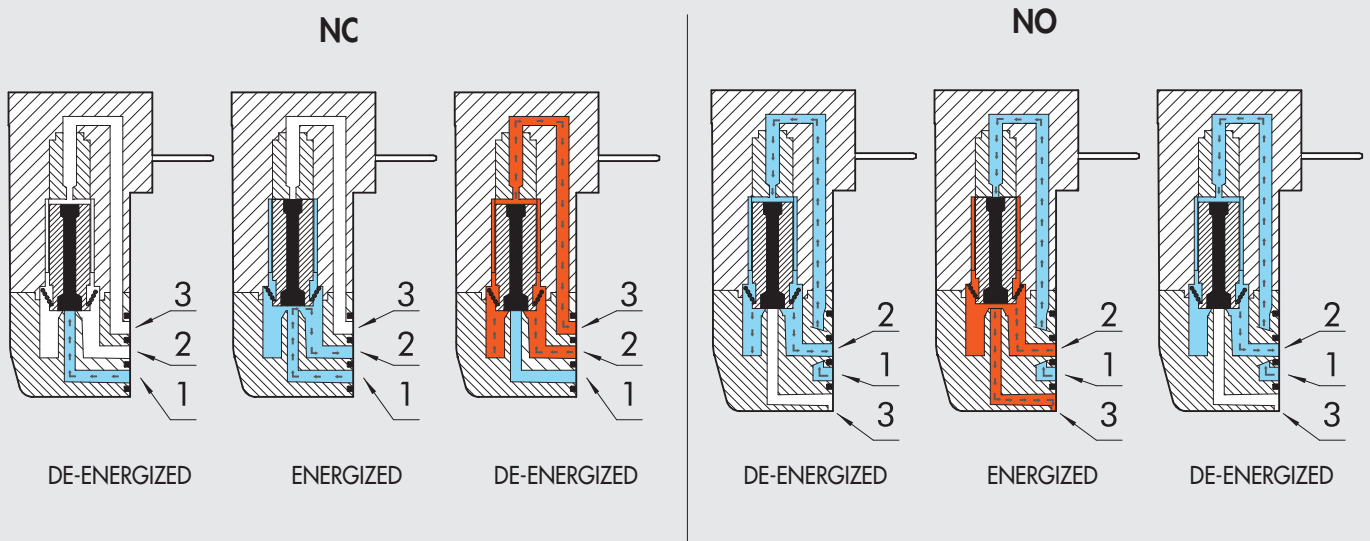


Code	Description	N° of PINS	N° of positions	L1	L2	L3	L4	L5	Weight [g]
0210040004	4-posn. base PLT 10 9-PIN mult conn.	9	4	81.9	10.6	18	41	19.6	160
0210040008	8-posn. base PLT 10 9-PIN mult conn.	9	8	122.5	10.6	18	41	19.6	235
0210240004	4-posn. base PLT 10 25-PIN mult conn.	25	4	104.8	15.5	30	63.9	30.5	210
0210240008	8-posn. base PLT 10 25-PIN mult conn.	25	8	145.4	15.5	30	63.9	30.5	280
0210240012	12-posn. base PLT 10 25-PIN mult conn.	25	12	186	15.5	30	63.9	30.5	355
0210240016	16-posn. base PLT 10 25-PIN mult conn.	25	16	226.6	15.5	30	63.9	30.5	430
0210240020	20-posn. base PLT 10 25-PIN mult conn.	25	20	267.2	15.5	30	63.9	30.5	500
0210240024	24-posn. base PLT 10 25-PIN mult conn.	25	24	307.8	15.5	30	63.9	30.5	575

# PLT-10 FOR MULTIPLE ELECTRIC CONNECTION

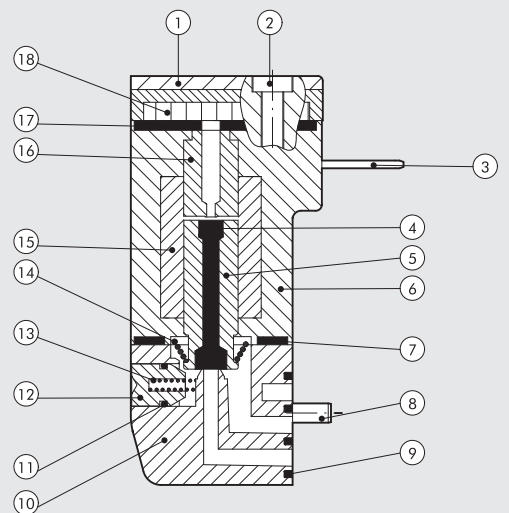
TECHNICAL DATA		NC	NO
Type		3/2 NC ed NO	
Operating temperature range (Te)	°C	5 to 50	
Fluid temperature (Tg)	°C	5 to 50	
Fluid		Filtered, lubricated or unlubricated air	
Operating life		Over 50 million cycles	
Weight	g	12	
Voltage tolerance	ΔV	± 10 %	
Max operating frequency	f	30 Hz	
Switching factor	ED	100 %	
Insulation class		F155	
Degree of protection		IP 51	IP 50

## OPERATING CHART

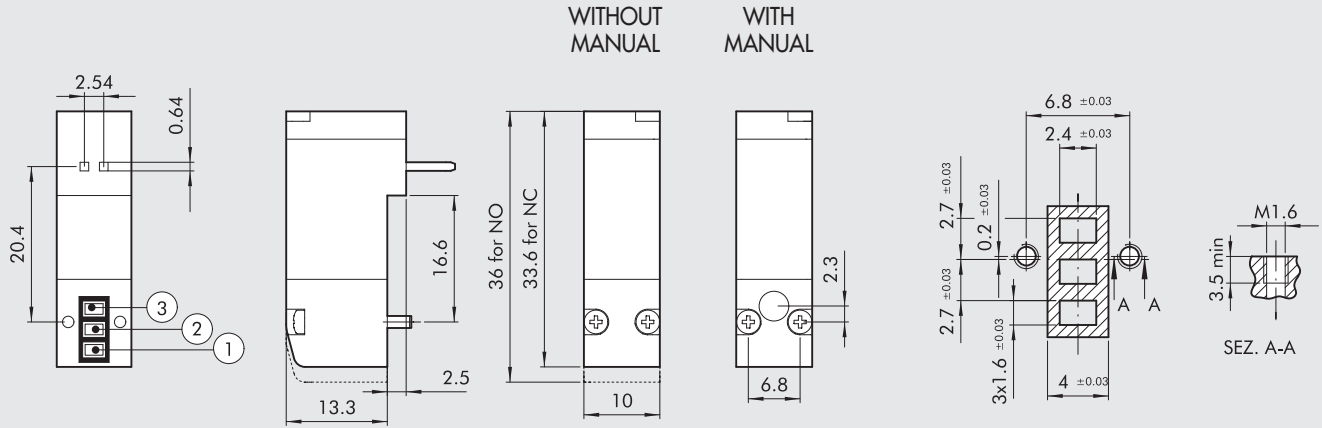


## COMPONENTS

- ① TRANSPARENT COVER: PA612-transparent
- ② ASSEMBLY SCREWS: galvanized steel
- ③ PIN
- ④ MOBILE CORE OVER-STAMPING: FKM/FPM
- ⑤ MOBILE CORE: AISI 403F
- ⑥ COIL OVER-STAMPING: PA66
- ⑦ BODY-COIL GASKET: NBR70
- ⑧ ASSEMBLY SCREWS: galvanized steel
- ⑨ BODY GASKET: NBR
- ⑩ BODY: PA66
- ⑪ MANUAL GASKET: NBR (only for version with manual operated)
- ⑫ MANUAL CONTROL: AISI 303 (only for version with manual operated)
- ⑬ MANUAL SPRING: AISI 302 (only for version with manual operated)
- ⑭ SPRING: AISI 302
- ⑮ WINDING: PPS - Copper wire
- ⑯ FIXED CORE: AISI 430F
- ⑰ COIL-COVER GASKET: NBR
- ⑱ ELECTRONIC BOARD (only for version with electronic board)



**PLT-10 NC-NO FOR MULTIPLE ELECTRIC CONNECTION**



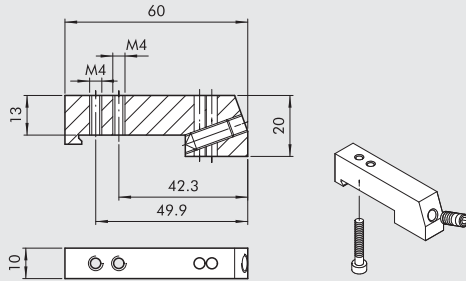
Version (3/2 NC)	Code	Manual	Voltage [Volt]	Power [Watt]	Ø Through [mm]	Operating pressure [bar]	Flow rate at 6 ΔP=1 bar [Nl/min]	T Max coil T at 24VDC Te 20°C α ED100% [°C]	Weight [g]
Without LED	722123330000	without	12 VDC	0.7	0.6	3 to 7	9	93	12
	722123330100	with	12 VDC	0.7	0.6	3 to 7	9	93	12
	722123340000	without	24 VDC	0.7	0.6	3 to 7	9	93	12
	722123340100	with	24 VDC	0.7	0.6	3 to 7	9	93	12
With LED	722123531000	without	12 VDC	0.8	0.6	3 to 7	9	93	12
	722123531100	with	12 VDC	0.8	0.6	3 to 7	9	93	12
	722123541000	without	24 VDC	0.8	0.6	3 to 7	9	93	12
	722123541100	with	24 VDC	0.8	0.6	3 to 7	9	93	12
SPEED-UP and LED	722126841000	without	24 VDC	3/0.3	1.2	2 to 7	16	51	12
	722126841100	with	24 VDC	3/0.3	1.2	2 to 7	16	51	12
	722126941000	without	24 VDC	4.2/0.7	1.2	2 to 7	30	51	12
	722126941100	with	24 VDC	4.2/0.7	1.2	2 to 7	30	51	12
<b>Version (3/2 NO)</b>									
SPEED-UP and LED	722126841010	without	24 VDC	3/0.7	1.0	2 to 7	14	51	12
	722126841110	with	24 VDC	3/0.7	1.0	2 to 7	14	51	12

**KEY TO CODES**

7 2 2	1	2	3	3	4	0	1	0	0
FAMILY	POSITIONING	POWER CONNECTION	Ø THROUGH	POWER	VOLTAGE	LED	MANUAL CONTROL	VERSION	
Solenoid valves series "PLT-10"	1 Base and connection on same side	2 for multiple base	3 0.6 mm 6 1.2 mm	3 0.7 W 5 0.8 W 8 3/0.3 W for NC 3/0.7 W for NO 9 4.2/0.7 W	3 12 VDC 4 24 VDC	0 - 1 LED	0 - 1 manual monostable	0 NC 1 NO	0 Standard

## ACCESSORIES

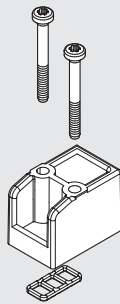
### CONNECTION BRACKETS ON BAR OMEGA (DIN EN 50022)



Code	Description	Weight [g]
0227301610	Connection brackets on din BAR for bases PLT-10	30

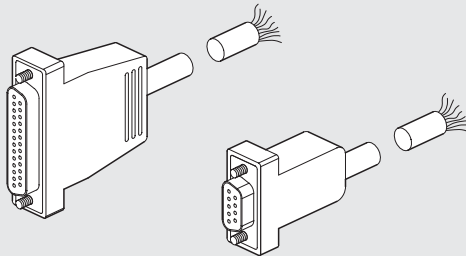
Supplied complete with one M3x20 screws and one M6 grub screw  
Individually packed

### CAP FOR UNUSED POSITION



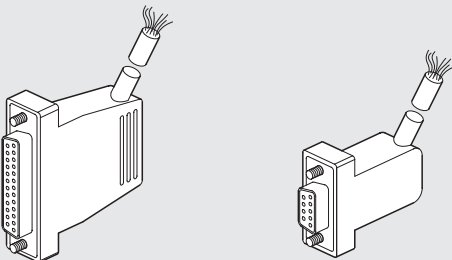
Code	Description	Weight [g]
W0400100200	Cap 10 mm	6

### STRAIGHT PRE-WIRED CONNECTOR KIT



Code	Description	Weight [g]
0226900100	Connector + 9-wire axial cable L = 1 m	90
0226900250	Connector + 9-wire axial cable L = 2.5 m	220
0226900500	Connector + 9-wire axial cable L = 5 m	434
0226920100	Connector + 25-wire axial cable L = 1 m	132
0226920250	Connector + 25-wire axial cable L = 2.5 m	320
0226920500	Connector + 25-wire axial cable L = 5 m	636

### PRE-WIRED 90° CONNECTOR

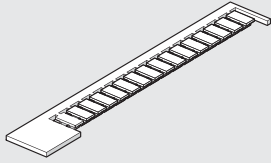


Code	Description	Weight [g]
0226910100	Connector + 9-wire 90° cable L = 1 m	90
0226910250	Connector + 9-wire 90° cable L = 2.5 m	220
0226910500	Connector + 9-wire 90° cable L = 5 m	434
0226930100	Connector + 25-wire 90° cable L = 1 m	132
0226930250	Connector + 25-wire 90° cable L = 2.5 m	320
0226930500	Connector + 25-wire 90° cable L = 5 m	636

### WIRING DIAGRAM FOR PRE-WIRED PLUG CONNECTORS

25 PIN				9 PIN			
Position of electrical contact	Colour of the corresponding wire	Position of electrical contact	Colour of the corresponding wire	Position of electrical contact	Colour of the corresponding wire	Position of electrical contact	Colour of the corresponding wire
1	blue/black	10	brown/white	19	yellow/black	1	green/black
2	red/brown	11	red/orange	20	white	2	white
3	white/black	12	light blue	21	blue/white	3	blue/black
4	red/blue	13	yellow/white	22	brown	4	blue
5	black/orange	14	yellow	23	green/white	5	yellow/black
6	yellow/red	15	red/green	24	red	6	yellow
7	black/brown	16	orange	25	green/black	7	red/black
8	white/red	17	orange/white			8	green
9	red/black	18	green			9	white/black

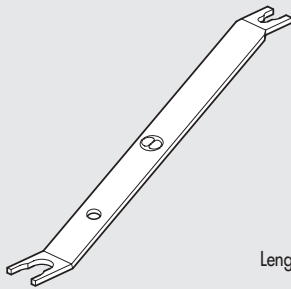
**IDENTIFICATION PLATE KIT**



Code	Description	Weight [g]
0226107000	Identification plate kit	30

Comes in 16-pc. packs

**R17 - PIPE RELEASE SPANNER**



Lenght = 140 mm

Code	Description	Ø Pipe
2L17001	RL17	from Ø 3 to Ø 10

**NOTES**