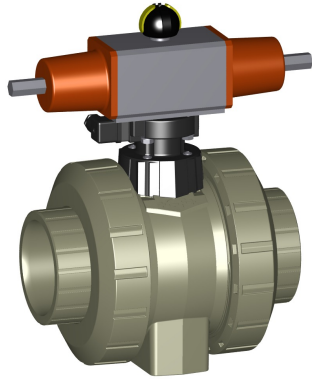


DN10/15 - 50



**PROGEF Standard Ball valve type 231**  
**FO (Fail safe to open)**  
**Without manual override**  
**With fusion sockets metric**

**Model:**

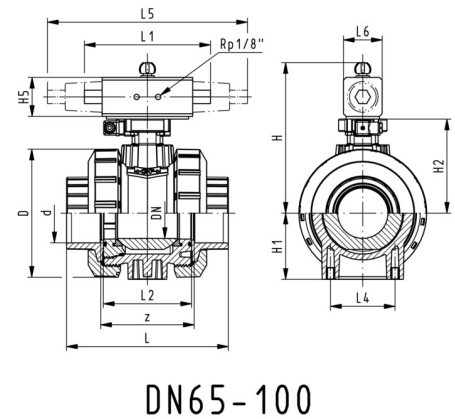
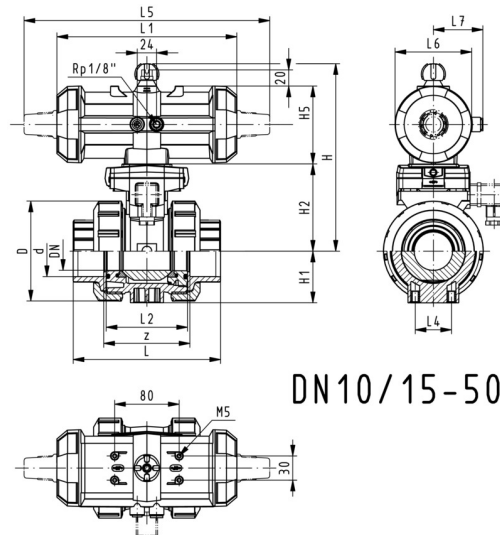
- Material: PP-H
- Control time 90°< 1-2s
- Assignment of actuators: PA11 (DN10/15-25), PA21 (DN32-50), PA30 (DN65), PA40 (DN80), PA40 (DN100)
- For easy installation and removal
- Integrated stainless steel mounting inserts

**Option:**

- Individual configuration of the valve

d (mm)	DN (mm)	PN (bar)	kv-value ( $\Delta p=1$ bar) (L/min)	EPDM Code	SP	Weight (kg)	FKM Code	SP	Weight (kg)
16	10	10	70	199 231 162	1	1.200	199 231 172	1	1.200
20	15	10	185	199 231 163	1	1.200	199 231 173	1	1.200
25	20	10	350	199 231 164	1	1.300	199 231 174	1	1.300
32	25	10	700	199 231 165	1	1.151	199 231 175	1	1.400
40	32	10	1000	199 231 166	1	2.500	199 231 176	1	2.500
50	40	10	1600	199 231 167	1	2.800	199 231 177	1	2.800
63	50	10	3100	199 231 168	1	3.700	199 231 178	1	3.700
75	65	10	5000	199 231 169	1	6.600	199 231 179	1	6.600
90	80	10	7000	199 231 170	1	8.400	199 231 180	1	8.400
110	100	10	11000	199 231 171	1	12.600	199 231 181	1	12.600

d (mm)	D (mm)	H (mm)	H1 (mm)	H2 (mm)	H5 (mm)	L (mm)	L1 (mm)	L2 (mm)	L4 (mm)	L5 (mm)	L6 (mm)	L7 (mm)	z (mm)	closest inch (inch)
16	50	159	27	62	77	93	194	56	25	261	76	48	66	3/8
20	50	159	27	62	77	95	194	56	25	261	76	48	67	1/2
25	58	168	30	71	77	108	194	65	25	261	76	48	77	3/4
32	68	168	36	71	77	118	194	71	25	261	76	48	83	1
40	84	202	44	84	99	137	224	85	45	305	95	59	99	1 1/4
50	97	202	51	84	99	147	224	89	45	305	95	59	105	1 1/2
63	124	225	64	106	99	168	224	101	45	305	95	59	117	2
75	166	262	85	156	70	233		136	70	276	65		167	2 1/2
90	200	281	105	168	78	254		141	70	341	72		180	3
110	238	292	123	175	86	301		164	120	369	80		215	4



# Data sheet

valid from: 8/21/21

---



The technical data are not binding. They neither constitute expressly warranted characteristics nor guaranteed properties nor a guaranteed durability. They are subject to modification. Our General Terms of Sale apply.

Georg Fischer Piping Systems Ltd, Postfach, CH-8201 Schaffhausen/Switzerland

Phone +41 -(0)52-631 1111

e-mail: [info.ps@georgfischer.com](mailto:info.ps@georgfischer.com)

Internet: <http://www.gfps.com>