

HDA | DOUBLE ACTING HIGH TONNAGE CYLINDERS

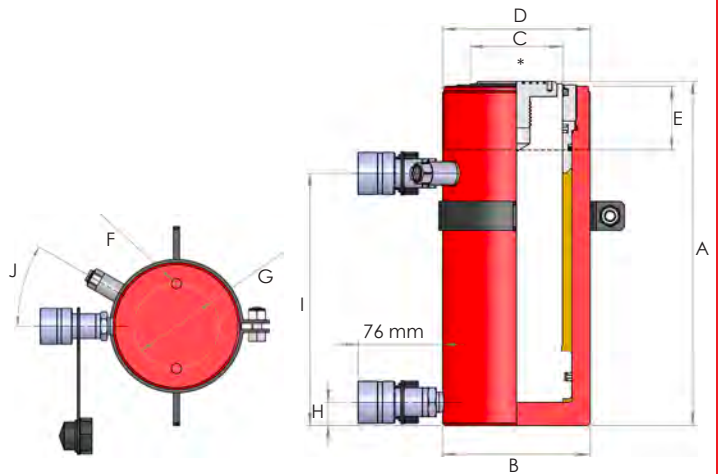


Capacities from 25 to 1012 tonnes

Stroke lengths from 152 to 508 mm

Working pressure 700 bar

- ▶ Double acting design offers higher work output with improved performance and efficiency
- ▶ Substantial pulling force in the piston retraction mode provides increased versatility
- ▶ Nitrocarburised piston rod for corrosion resistance
- ▶ Low friction bearing surfaces
- ▶ Internal annular area overload protection valve
- ▶ Anti-extrusion seals for improved performance at high pressures
- ▶ Flat saddle, collar thread and piston rod thread as standard on all models up to 203 tonnes
- ▶ Replaceable tilting saddle fitted as standard on models from 326 tonnes and upwards
- ▶ Lifting ring as standard on models from 50 to 109 tonnes
- ▶ Eyebolts as standard on models from 152 to 1012 tonnes
- ▶ Optional piston rod saddles listed on pages 24 and 25
- ▶ Customised and special design cylinders are available on request



Note: Base mounting holes (F) will not withstand full load. Base mounting holes for easy positioning. Base mounting holes on model HDA5020 are at a random angular orientation to the cylinder ports.

*see pages 24 and 25

| Model number | Capacity (tonnes) Push | Pull | Stroke (mm) | Oil capacity (litres) | Cylinder eff. area (cm ²) | Weight (kg) |
|--------------|---------------------------|------|-------------|-----------------------|---------------------------------------|-------------|
| HDA256 | 25 | 10 | 152 | 0.53 | 34.9 | 15.0 |
| HDA506 | 50 | 15 | 152 | 1.08 | 71.3 | 28.4 |
| HDA5013 | 50 | 15 | 330 | 2.35 | 71.3 | 42.6 |
| HDA5020 | 50 | 15 | 508 | 3.62 | 71.3 | 62.8 |
| HDA1006 | 109 | 36 | 152 | 2.33 | 153.3 | 64.5 |
| HDA10013 | 109 | 36 | 330 | 5.06 | 153.3 | 89.0 |
| HDA1506 | 152 | 79 | 152 | 3.26 | 214.2 | 90.0 |
| HDA15012 | 152 | 79 | 305 | 6.53 | 214.2 | 120.5 |
| HDA2006 | 203 | 94 | 152 | 4.33 | 285.2 | 129.8 |
| HDA20012 | 203 | 94 | 305 | 8.69 | 285.2 | 167.4 |
| HDA3006 | 326 | - | 152 | 6.95 | 457.4 | 193.0 |
| HDA30012 | 326 | - | 305 | 13.95 | 457.4 | 250.0 |
| HDA4006 | 398 | - | 152 | 8.49 | 558.9 | 286.0 |
| HDA40012 | 398 | - | 305 | 17.04 | 558.9 | 387.0 |
| HDA5006 | 520 | - | 152 | 11.09 | 729.9 | 372.0 |
| HDA50012 | 520 | - | 305 | 22.26 | 729.9 | 473.0 |
| HDA8006 | 809 | - | 152 | 17.28 | 1134.1 | 650.0 |
| HDA10006 | 1012 | - | 152 | 21.62 | 1419.3 | 900.0 |

| Dimensions (mm) (unless otherwise stated) | | | | | | | | | |
|---|-----|-----|---------------|----------|----------|----------|----|-----|-----|
| A | B | C | D | E | F | G | H | I | J |
| 287 | 92 | 50 | 3 5/16"-12 UN | 53 | M10 | 60 | 30 | 212 | 40° |
| 295 | 127 | 79 | 5"-12 UN | 55 | M12 | 85 | 20 | 216 | 30° |
| 473 | 127 | 79 | 5"-12 UN | 55 | M12 | 85 | 20 | 394 | 30° |
| 730 | 127 | 79 | 5"-12 UN | 55 | M12 | 85 | 68 | 636 | 30° |
| 304 | 185 | 114 | 6 7/8"-12 UN | 51 | M12 | 146 | 30 | 226 | 30° |
| 482 | 185 | 114 | 6 7/8"-12 UN | 51 | M12 | 146 | 30 | 404 | 30° |
| 310 | 210 | 114 | 8"-12 UN | 55 | M16 | 160 | 35 | 231 | 30° |
| 463 | 210 | 114 | 8"-12 UN | 55 | M16 | 160 | 35 | 384 | 30° |
| 327 | 254 | 140 | 9 3/4"-12 UN | 65 | M20 | 185 | 43 | 238 | 30° |
| 480 | 254 | 140 | 9 3/4"-12 UN | 65 | M20 | 185 | 43 | 391 | 30° |
| 409 | 312 | 165 | Optional | Optional | M20 | 158 | 50 | 262 | 30° |
| 562 | 312 | 165 | Optional | Optional | M20 | 158 | 50 | 415 | 30° |
| 431 | 360 | 216 | Optional | Optional | M24 | 203 | 55 | 277 | 30° |
| 584 | 360 | 216 | Optional | Optional | M24 | 203 | 55 | 430 | 30° |
| 470 | 397 | 203 | Optional | Optional | M24 | 203 | 65 | 300 | 30° |
| 623 | 398 | 203 | Optional | Optional | M24 | 203 | 65 | 453 | 30° |
| 535 | 500 | 300 | Optional | Optional | Optional | Optional | 70 | 318 | 30° |
| 590 | 540 | 320 | Optional | Optional | Optional | Optional | 99 | 357 | 30° |

Note: If specifying this cylinder for use with the SLF and SLV synchronous lifting systems and associated mounting kit, please consider the increase in dimension A (closed height), see pages 44 and 48.