

DN10/15 - 50

**SYGEF Standard Ball valve type 232**  
**Function FO (Fail safe to open)**  
**With manual override**  
**With fixed flanges PVDF serrated metric**

**Model:**

- Material: PVDF
- Built on with pneumatic actuator PA11 (DN10/15-25), PA21 (DN32-50)
- Control time 90°< 1-2s
- For easy installation and removal
- Integrated stainless steel mounting inserts
- Overall length EN 558
- Connecting dimension: ISO 7005 / EN 1092 / DIN 25 PN10 / BS4504

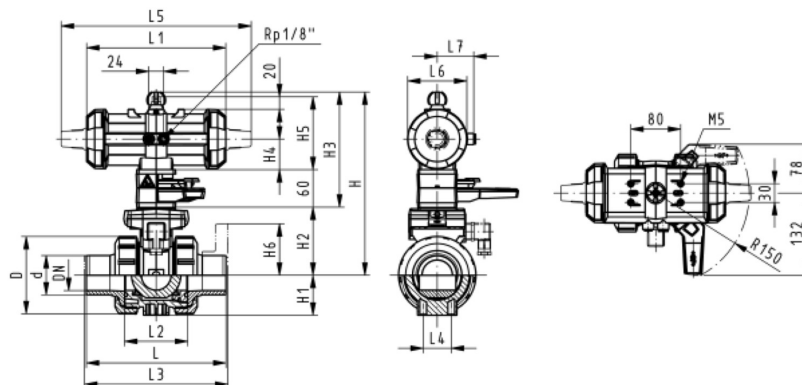
**Option:**

- Individual configuration of the valve

d (mm)	DN (mm)	Size (inch)	PN (bar)	kv-value ( $\Delta p=1$ bar) (L/min)	FKM Code	SP	Weight (kg)
20	15	½	10	185	<b>199 232 023</b>	1	1.700
25	20	¾	10	350	<b>199 232 024</b>	1	1.900
32	25	1	10	700	<b>199 232 025</b>	1	2.100
40	32	1 ¼	10	1000	<b>199 232 026</b>	1	3.400
50	40	1 ½	10	1600	<b>199 232 027</b>	1	3.900
63	50	2	10	3100	<b>199 232 028</b>	1	5.000

d (mm)	D (mm)	H (mm)	H1 (mm)	H2 (mm)	H3 (mm)	H4 (mm)	H5 (mm)	H6 (mm)	L (mm)	L1 (mm)	L2 (mm)	L3 (mm)	L4 (mm)	L5 (mm)	L6 (mm)
20	50	230	27	62	168	40	77	48	124	194	56	130	25	261	76
25	58	239	30	71	168	40	77	53	144	194	65	150	25	261	76
32	68	239	36	71	168	40	77	58	154	194	71	160	25	261	76
40	84	271	44	84	187	51	99	70	174	224	85	180	45	305	95
50	97	271	51	84	187	51	99	75	194	224	89	200	45	305	95
63	124	293	64	106	187	51	99	83	224	224	101	230	45	305	95

d (mm)	L7 (mm)
20	48
25	48
32	48
40	59
50	59
63	59



# Data sheet

valid from: 8/21/21

---



The technical data are not binding. They neither constitute expressly warranted characteristics nor guaranteed properties nor a guaranteed durability. They are subject to modification. Our General Terms of Sale apply.

Georg Fischer Piping Systems Ltd, Postfach, CH-8201 Schaffhausen/Switzerland

Phone +41 -(0)52-631 1111

e-mail: [info.ps@georgfischer.com](mailto:info.ps@georgfischer.com)

Internet: <http://www.gfps.com>