

PROGEF Standard
Ball valve type 127 100-230V
With manual emergency override
With fixed flanges PP-H serrated metric

Model:

- Built on with electric actuator EA15
- Voltage 100-230V, 50-60Hz
- Factory set control range 90°<
- Heating element, position feedback (Open/Close)
- Integrated stainless steel mounting inserts

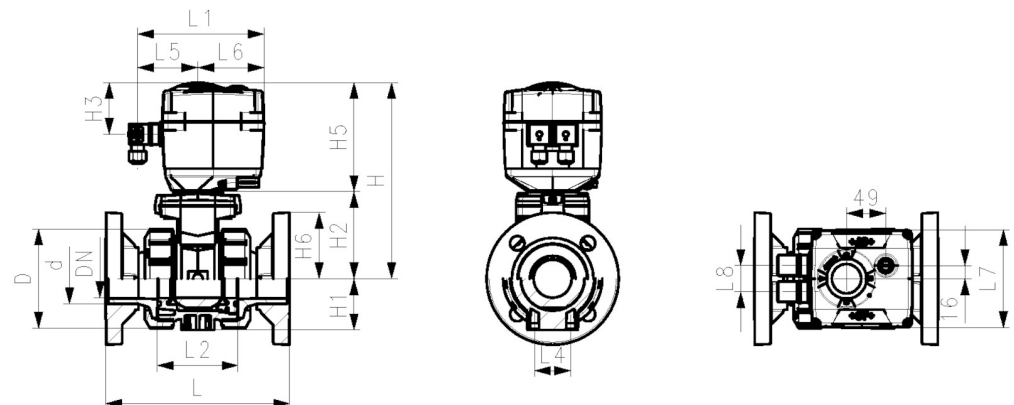
Option:

- Other valve and actuator configurations available
- Optional accessories: Fail-safe return unit

d (mm)	Size (inch)	DN (mm)	PN (bar)	kv-value ($\Delta p=1$ bar) (L/min)	EPDM Code	Weight (kg)	FKM Code	Weight (kg)
20	½	15	10	185	199 127 583	2.300	199 127 593	2.300
25	¾	20	10	350	199 127 584	2.500	199 127 594	2.500
32	1	25	10	700	199 127 585	2.555	199 127 595	2.700
40	1 ¼	32	10	1000	199 127 586	3.200	199 127 596	3.200
50	1 ½	40	10	1600	199 127 587	3.700	199 127 597	3.700
63	2	50	10	3100	199 127 588	4.800	199 127 598	4.800

d (mm)	D (mm)	H (mm)	H1 (mm)	H2 (mm)	H3 (mm)	H5 (mm)	H6 (mm)	L (mm)	L1 (mm)	L2 (mm)	L3 (mm)	L4 (mm)	L5 (mm)	L6 (mm)	L7 (mm)
20	50	200	27	64	64	137	48	120	161	56	130	25	77	83	122
25	58	209	30	73	64	137	53	140	161	65	150	25	77	83	122
32	68	209	36	73	64	137	58	150	161	71	160	25	77	83	122
40	84	220	44	84	64	137	70	170	161	85	180	45	77	83	122
50	97	220	51	84	64	137	75	190	161	89	200	45	77	83	122
63	124	243	64	106	64	137	165	220	161	101	230	45	77	83	122

d (mm)	L8 (mm)
20	33
25	33
32	33
40	33
50	33
63	33



Data sheet

valid from: 8/25/21



The technical data are not binding. They neither constitute expressly warranted characteristics nor guaranteed properties nor a guaranteed durability. They are subject to modification. Our General Terms of Sale apply.

Georg Fischer Piping Systems Ltd, Postfach, CH-8201 Schaffhausen/Switzerland

Phone +41 -(0)52-631 1111

e-mail: info.ps@georgfischer.com

Internet: <http://www.gfps.com>