



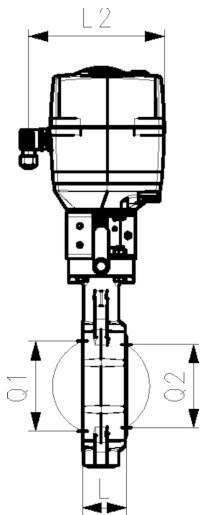
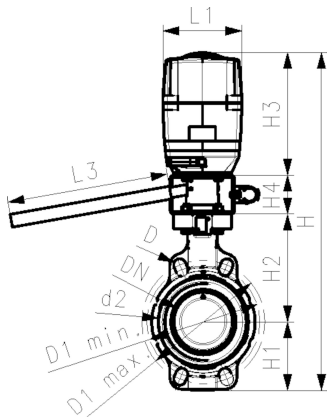
Wafer-style, intermediate installation butterfly valve type 145 ABS
With electric actuator 230V
With manual override
Flange standard metric/ANSI/BS/JIS

Model:

- Voltage 100-230V, 50-60Hz
- Factory set control range 90°<
- Heating element, position feedback (Open/Close/ Middle)
- Overall length according to EN 558, ISO 5752 (DN50-200 line 25, DN250-300 line 16)
- Connecting dimension: ISO 7005 PN 10, EN 1092 PN 10, DIN 2501 PN 10, ANSI/ASME B 16.5 Class 150, BS 1560: 1989, BS 4504, JIS B 2220

Option:

- Other valve and actuator configurations available
- Optional accessories: Fail-safe return unit, Monitoring board, Position controller, Profibus DP board



d (mm)	Size (inch)	DN (mm)	PN (bar)	kv-value (Δp=1 bar) (l/min)	EPDM Code	Weight (kg)
63	2	50	10	740	199 145 482	5.678
75	2 ½	65	10	1500	199 145 483	5.781
90	3	80	10	2400	199 145 484	5.859
110	4	100	10	3800	199 145 485	6.395
140	5	125	10	8600	199 145 486	5.389
160	6	150	10	11400	199 145 487	7.718
225	8	200	10	19900	199 145 488	13.529
280	10	250	6	34000	199 145 489	14.334
315	12	300	4	50000	199 145 490	19.546

d (mm)	Actuator unit type	d2 (mm)	D (mm)	D1 min. (mm)	D1 max. (mm)	H (mm)	H1 (mm)	H2 (mm)	H3 (mm)	H4 (mm)	L (mm)	L1 (mm)	L2 (mm)	L3 (mm)
63	EA-120	104	19	120	125	475	77	134	188	75	45	122	180	250
75	EA-120	115	19	140	145	488	83	140	188	75	46	122	180	250
90	EA-120	131	19	150	160	488	89	146	188	60	49	122	180	250
110	EA-120	161	19	175	191	520	104	167	188	60	56	122	180	250
140	EA-120	187	23	210	216	547	117	181	188	60	64	122	180	250
160	EA-120	215	24	241	241	568	130	189	188	60	72	122	180	250
225	EA-250	267	23	290	295	635	158	210	208	60	73	122	180	250
280	EA-250	329	25	353	362	677	205	264	208	0	113	122	180	440
315	EA-250	379	25	400	432	721	228	285	208	0	113	122	180	510

d (mm)	Q1 (mm)	Q2 (mm)	closest inch (inch)
63	40		2
75	54	35	2 ½
90	67	50	3
110	88	74	4
140	113	97	5
160	139	123	6
225	178	169	8
280	210	207	10
315	256	253	12

The technical data are not binding. They neither constitute expressly warranted characteristics nor guaranteed properties nor a guaranteed durability. They are subject to modification. Our General Terms of Sale apply.

Data sheet

valid from: 4/11/21



Georg Fischer Piping Systems Ltd, Postfach, CH-8201 Schaffhausen/Switzerland

Phone +41 -(0)52-631 1111

e-mail: info.ps@georgfischer.com

Internet: <http://www.gfps.com>