



UNI-Rep S2 repair coupling stainless steel 1.4571

Non-tensile connection of metal and metal, plastic and plastic, metal and plastic
PN16 Solid bolt

Model:

- Housing, Bars and Strip insert (option): Stainless Steel W5 (1.4571) Quality

Temperature/Pressure:

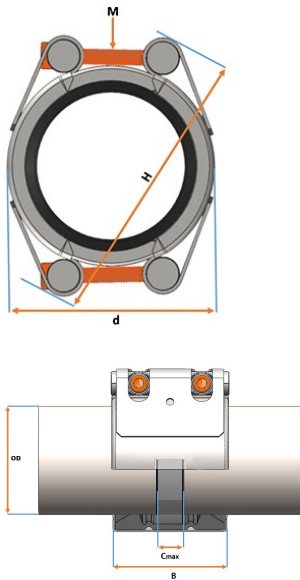
- Operating temperature EPDM: -30°C to 125°C
- Operating temperature NBR: -20°C to 80°C

Option:

- Sealing type Viton (FKM) on request

Attention:

- The difference between the different pipe outside diameters OD1<OD2 is 1% or max. 3 mm.

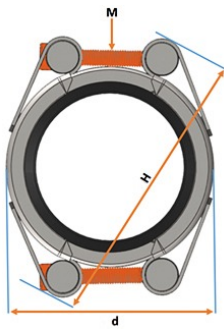


OD nominal (mm) (mm)	EPDM Code	NBR Code	Weight (kg)
172 - 198	779 964 024	779 962 024	7.8
197 - 223	779 964 026	779 962 026	8.1
221 - 247	779 964 028	779 962 028	8.4
250 - 276	779 964 030	779 962 030	8.7
275 - 301	779 964 032	779 962 032	10.8
302 - 328	779 964 034	779 962 034	11.3
327 - 353	779 964 036	779 962 036	11.7
348 - 374	779 964 038	779 962 038	16.1
374 - 400	779 964 040	779 962 040	16.8
399 - 425	779 964 042	779 962 042	17.4
425 - 451	779 964 044	779 962 044	18.0
447 - 473	779 964 046	779 962 046	18.6
475 - 501	779 964 048	779 962 048	19.3
490 - 516	779 964 049	779 962 049	19.7
507 - 533	779 964 050	779 962 050	20.1
558 - 584	779 964 054	779 962 054	21.4
533 - 559	779 964 052	779 962 052	20.7
587 - 613	779 964 055	779 962 055	22.1
615 - 641	779 964 057	779 962 057	22.8
635 - 661	779 964 058	779 962 058	23.3
663 - 689	779 964 059	779 962 059	24.0
687 - 713	779 964 061	779 962 061	24.6
704 - 730	779 964 062	779 962 062	25.0
719 - 745	779 964 063	779 962 063	25.4

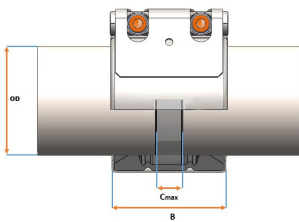
OD nominal (mm) (mm)	M	PN (bar)	WP (bar)	C max. (mm)	OD min (mm)	OD max. (mm)	OD1 < OD2 (mm)	d (mm)	B (mm)	H (mm)
172 - 198	M12	16	25	40	172	198	3	236	140	262
197 - 223	M12	16	25	40	197	223	3	261	140	287
221 - 247	M12	16	25	40	221	247	3	285	140	311
250 - 276	M12	16	25	40	250	276	3	314	140	340
275 - 301	M16	16	25	40	275	301	3	339	142	365
302 - 328	M16	16	25	40	302	328	3	366	142	392
327 - 353	M16	16	25	40	327	353	3	391	142	417
348 - 374	M16	16	25	40	348	374	3	412	146	438
374 - 400	M16	16	25	40	374	400	3	438	146	464
399 - 425	M16	16	25	40	399	425	3	463	146	489
425 - 451	M16	16	25	40	425	451	3	489	146	515
447 - 473	M16	16	25	40	447	473	3	511	146	537
475 - 501	M16	16	25	40	475	501	3	539	146	565
490 - 516	M16	16	25	40	490	516	3	554	146	580
507 - 533	M16	16	25	40	523	533	3	575	146	603
558 - 584	M16	16	25	40	558	584	3	626	146	654

Data sheet

valid from: 7/21/21



OD nominal (mm) (mm)	M (bar)	PN (bar)	WP (bar)	C max. (mm)	OD min (mm)	OD max. (mm)	OD1 < OD2 (mm)	d (mm)	B (mm)	H (mm)
533 - 559	M16	16	25	40	533	559	3	601	146	629
587 - 613	M16	16	25	40	587	613	3	655	146	683
615 - 641	M16	16	25	40	615	641	3	683	146	711
635 - 661	M16	16	25	40	635	661	3	703	146	731
663 - 689	M16	16	25	40	663	689	3	731	146	759
687 - 713	M16	16	25	40	687	713	3	755	146	783
704 - 730	M16	16	25	40	704	730	3	772	146	800
719 - 745	M16	16	25	40	719	745	3	787	146	815



OD nominal (mm) (mm)	Torque (N/m)
172 - 198	30
197 - 223	30
221 - 247	30
250 - 276	30
275 - 301	30
302 - 328	30
327 - 353	50
348 - 374	50
374 - 400	50
399 - 425	50
425 - 451	50
447 - 473	50
475 - 501	50
490 - 516	50
507 - 533	60
558 - 584	60
533 - 559	60
587 - 613	60
615 - 641	70
635 - 661	70
663 - 689	70
687 - 713	70
704 - 730	70
719 - 745	70

The technical data are not binding. They neither constitute expressly warranted characteristics nor guaranteed properties nor a guaranteed durability. They are subject to modification. Our General Terms of Sale apply.

Georg Fischer Piping Systems Ltd, Postfach, CH-8201 Schaffhausen/Switzerland

Phone +41 -(0)52-631 1111

e-mail: info.ps@georgfischer.com

Internet: <http://www.gfps.com>