

FLOW CONTROL VALVES IN 316L STAINLESS STEEL

SERIES XRFU AND XRFO



- Series XRFU:
Unidirectional flow control valves for cylinder speed regulation
- Series XRFO:
Bidirectional flow control valves for air flow regulation and all compatible fluids with components materials

The unidirectional and bidirectional flow controllers are equipped with G1/8, G1/4, G3/8 and G1/2 ports. All models can be used in environments with aggressive fluids or gases.

General Data

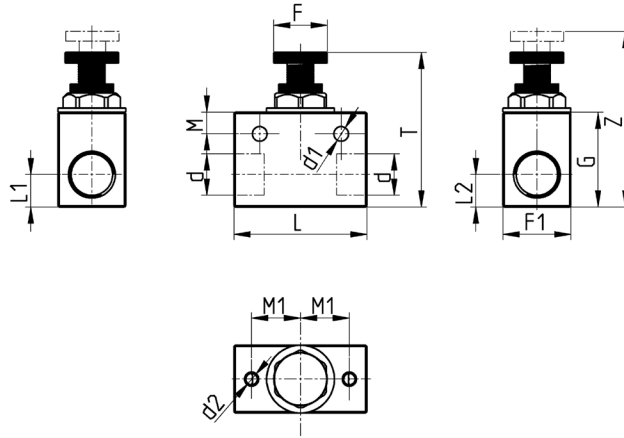
Construction	Needle-type
Valve group	Unidirectional and bidirectional controller
Materials	Body in 316L stainless steel, FKM seals
Mounting	With screws in the holes of the valve body or panel mounted
Threads	G1/8, G1/4, G3/8, G1/2 1/8 NPT, 1/4 NPT, 3/8 NPT, 1/2 NPT
Installation	In any position
Working temperature	-15°C +120°C
Working pressure	- 0,5 ÷ 16 bar (unidirectional regulator) 0 ÷ 40 bar (bidirectional regulator)
Nominal pressure	6 bar
Nominal diameter	G1/8 = 6 - G1/4 = 6 - G3/8 = 9 - G1/2 = 10 - PT1/8 = 6 - PT1/4 = 6 - PT3/8 = 9 - PT1/2 = 10
Medium	Filtered air without lubrication with unidirectional and bidirectional flow control valves all fluids compatible with the materials of the bidirectional flow control valves

Coding Example

X	RF	U	1/8	PT
X	= INOX			
RF	SERIES			
U	FUNCTION U = Unidirectional O = Bidirectional			
1/8	PORTS 1/8 1/4 3/8 1/2			
PT	PORTS = Gas PT = NPT			

Unidirectional flow control valves Series XRFU

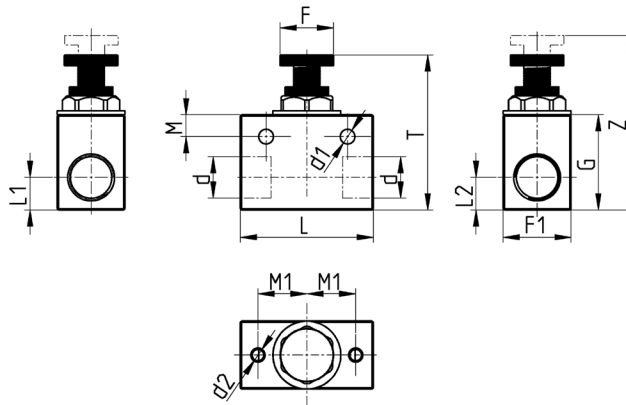
Manual regulation



Mod.	d	d1	d2	F	F1	G	L	L1	L2	M	M1	T	Z
XRFU 1/8	G1/8	5,4	M5	20	20	30	40	6,5	13,5	8	15	47	52
XRFU 1/4	G1/4	5,4	M5	20	20	30	40	8	12	8	15	49	54
XRFU 3/8	G3/8	5,4	M5	20	25	35	49	10,5	15,5	8	18	57	66
XRFU 1/2	G1/2	5,4	M5	20	25	35	49	12,5	13	8	18	57	66
XRFU 1/8PT	1/8NPT	5,4	M5	20	20	30	40	6,5	13,5	8	15	49	54
XRFU 1/4PT	1/4NPT	5,4	M5	20	20	30	40	8	12	8	15	49	54
XRFU 3/8PT	3/8NPT	5,4	M5	20	25	35	49	10,5	15,5	8	18	57	66
XRFU 1/2PT	1/2NPT	5,4	M5	20	25	35	49	12,5	13	8	18	57	66

Bidirectional flow control valves Series XRFO

Manual regulation



Mod.	d	d1	d2	F	F1	G	L	L1	L2	M	M1	T	Z
XRFU 1/8	G1/8	5,4	M5	20	20	30	40	6,5	13,5	8	15	47	52
XRFU 1/4	G1/4	5,4	M5	20	20	30	40	8	12	8	15	49	54
XRFU 3/8	G3/8	5,4	M5	20	25	35	49	10,5	15,5	8	18	57	66
XRFO 1/2	G1/2	5,4	M5	20	25	35	49	12,6	13	8	18	57	66
XRFO 1/8PT	1/8NPT	5,4	M5	20	20	30	40	6,5	13,5	8	15	49	54
XRFO 1/4PT	1/4NPT	5,4	M5	20	20	30	40	8	12	8	15	49	54
XRFO 3/8PT	3/8NPT	5,4	M5	20	25	35	49	10,5	15,5	8	18	57	66
XRFO 1/2PT	1/2NPT	5,4	M5	20	25	35	49	12,6	13	8	18	57	66