

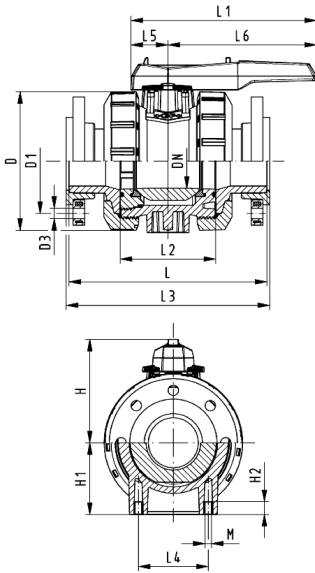
PROGEF Standard Ball valve type 546 Pro
With backing flanges PP-st metric

Model:

- Material: PP-H / silicone free cleaned
- For easy installation and removal
- Ball seals PVDF
- Integrated stainless steel mounting inserts
- Double bagged
- Overall length according to EN 558
- Connecting dimension: ISO 7005, EN 1092, BS 4504, DIN 2501
- Hole circle PN10

Option:

- Pneumatic or electric actuators from GF
- Individual configuration of the valve possible
- Multifunctional module with integrated limit switches (DN65-100)



d	DN	Size	PN	kv-value ($\Delta p=1$ bar)	EPDM Code	SP	Weight (kg)	FKM Code	SP	Weight (kg)
(mm)	(mm)	(inch)	(bar)	(l/min)						
75	65	2 1/2	10	5000	167 546 828	1	4.300	167 546 838	1	4.300
90	80	3	10	7000	167 546 829	1	6.400	167 546 839	1	6.400
110	100	4	10	11000	167 546 830	1	10.000	167 546 840	1	10.000

d	D	D1	D3	H	H1	H2	L	L1	L2	L3	L4	L5	L6	M
(mm)	(mm)	(mm)	(mm)	(mm)	(mm)	(mm)	(mm)	(mm)	(mm)	(mm)	(mm)	(mm)	(mm)	
75	185	145	18	150	85	15	280	269	136	290	70	64	206	M8
90	200	160	18	161	105	15	296	269	141	310	70	64	206	8
110	220	180	18	178	123	22	336	319	164	350	120	64	256	12

The technical data are not binding. They neither constitute expressly warranted characteristics nor guaranteed properties nor a guaranteed durability. They are subject to modification. Our General Terms of Sale apply.

Georg Fischer Piping Systems Ltd, Postfach, CH-8201 Schaffhausen/Switzerland

Phone +41 -(0)52-631 1111

e-mail: info.ps@georgfischer.com

Internet: <http://www.gfps.com>