

# ASCO™ Solenoid Valves

AISI 316 Stainless steel | 1/2" to 2"

2/2  
Series  
210

## Features and Benefits

- Two way shut-off valves for the control air, inert gas, water, oil and other gases/liquids compatible with the sealing material used
- All products are covered by Pressure Equipment Directive 2014/68/EU and are suitable for group 1 and 2 fluids
- The solenoid valves satisfy all relevant EU directives

## General

**Differential pressure** See «SPECIFICATIONS» [1 bar = 100 kPa]  
**Maximum viscosity** 65 cSt (mm<sup>2</sup>/s)  
**Response time** 15 - 120 ms

Fluids (*)	Temperature range (TS)	Seal materials (*)
air, inert gas, water, oil	-20°C to +85°C	NBR (nitrile)

## Materials of components in contact with fluid

(\*) Ensure that compatibility of materials in contact with fluids is verified.

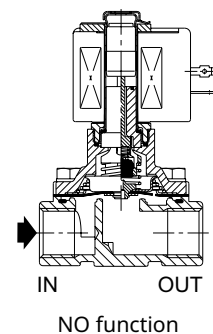
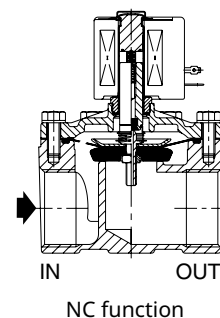
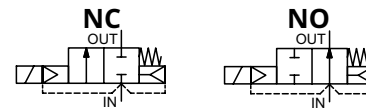
**Body** AISI 316 SS  
**Core tube** Stainless steel  
**Core and plugnut** Stainless steel  
**Springs** Stainless steel  
**Seat** Stainless steel  
**Seals, diaphragm and disc** NBR  
**Disc holder (NO function)** PA  
**Shading coil** Silver

## Electrical characteristics

**Coil insulation class** F or H  
**Connector** Spade plug (cable Ø 6-10 mm)  
**Connector specification** ISO 4400 / EN 175301-803, form A  
**Electrical safety** IEC 335  
**Electrical enclosure protection** Moulded IP65 (EN 60529)  
**Standard voltages** DC (=): 24V - 48V  
 (Other voltages and 60 Hz on request) AC (-): 24V - 48V - 115V - 230V / 50 Hz

Prefix option	Power ratings				Operator ambient temperature range (TS) <sup>(1)</sup> (°C)	Replacement coil	
	Inrush		Holding			~	=
	~ (VA)	~ (VA)	~ (W)	= (W)		~ 230 V/50 Hz	= 24 V DC
SC	55	23	10.5	-	-20 to +75	400425-117	-
	78	35	16.7	-	-20 to +50	400425-217	-
	110	33.6	15.4	12/16.8	-20 to +75	400525-117	400625-142
	240	43	20	16.8/23	-20 to +50	400525-217	400625-242
	30	-	-	-	-20 to +55	238213-059	-
-	-	-	8.5/11.6	-	-20 to +55	-	238913-006

<sup>(1)</sup> For dimensions, see drawing(s) for each construction type on the following page(s).



## Specifications

Pipe size	Orifice size (mm)	Flow coefficient Kv (m <sup>3</sup> /h) (l/min)		Operating pressure differential (bar)						Power coil (W)		Stainless steel			FPM	EPDM	CR	
				Min.	Max. (PS)													
					Air (*)		Water (*)		Oil (*)									
~	=	~	=	~	=	~	=	~	=									
<b>NC - Normally closed</b>																		
Rp 1/2	16	3.4	57	0	16	16	16	16	16	16	16.7	16.8	SCE210C587 <sup>(2)</sup>	V	E	J		
Rp 3/4	19	4.3	72	0	16	16	16	16	16	16	16.7	16.8	SCE210C588 <sup>(2)</sup>	V	E	J		
Rp 1	25	9.6	160	0	16	10	16	10	16	10	15.4	23	SCE210D589 <sup>(3)</sup>	V	E	J		
Rp 1 1/4"	32	19.3	322	0.35	9	9	9	9	9	9	8.1	11.6	SCE210G125	V	E	J		
Rp 1 1/2"	32	19.3	322	0.35	9	9	9	9	9	9	8.1	11.6	SCE210G127	V	E	J		
Rp 2	44	37	617	0.35	9	9	9	9	9	9	8.1	11.6	SCE210G129 <sup>(1)</sup>	V	E	J		
<b>NO - Normally open</b>																		
Rp 1/2"	16	3.4	57	0	16	16	16	16	16	16	10.5	23	SCE210B530	V	E	J		
Rp 3/4"	19	4.7	79	0	16	16	16	16	16	16	10.5	23	SCE210B538	V	E	J		
Rp 1"	19	4.7	79	0.35	16	16	16	16	16	16	10.5	16.8	SCE210A130	V	E	J		
Rp 1 1/4"	32	19.3	322	0.35	9	9	9	9	9	9	15.4	16.8	SCE210A131	V	E	J		
Rp 1 1/2"	32	19.3	322	0.35	9	9	9	9	9	9	15.4	16.8	SCE210A132	V	E	J		
Rp 2"	44	37	617	0.35	9	9	9	9	9	9	15.4	16.8	SCE210A133 <sup>(1)</sup>	V	E	J		

<sup>(1)</sup> Ensure the compatibility of materials in contact with fluid is verified.

<sup>(1)</sup> Floating piston construction

<sup>(2)</sup> Max. operator ambient temperature (TS) 60°C, DC only

<sup>(3)</sup> Mounting position, DC only: piping horizontal, solenoid upright.

## Options

- Valves can also be supplied with FPM (fluoroelastomer), EPDM (ethylene-propylene) and CR (chloroprene) diaphragms, seals and discs. Use the appropriate optional suffix letter for identification
- Waterproof enclosure with embedded screw terminal coil according to protection class IP67, CEE-10
- Explosionproof enclosures for use in zones 1/21-2/22, categories 2-3 to ATEX Directive 2014/34/EU
- Electrical enclosures according to "NEMA" standards are available
- Compliance with "UL", "CSA" and other local approvals available on request
- Other pipe connections are available on request. Pipe identifier 8 = NPT
- [Connector with visual indication and peak voltage suppression or with cable length of 2 m](#)

## Installation

- The solenoid valves can be mounted in any position without affecting operation, unless indicated otherwise in the specifications table.
- Pipe connection is E = Rp (ISO 7/1)
- Installation/maintenance instructions are included with each valve

## Spare parts kit and accessories

Catalog number	Spare parts kits no.		Mounting bracket
	~	=	
SCE210C587/C588	C302328	C326548	standard
SCE210D589	C302329	C326549	-
SCE210G125/G127	C325338	C325365	-
SCE210G129/A131	C325366	C325367	-
SCE210B530/B538	C326553	C326550	standard
SCE210A130	C326546	C326547	-
SCE210A132	C325368	C325368	-
SCE210A133	C325369	C325369	-

<sup>(1)</sup> Standard prefixes/suffixes are also applicable to kits.

- Not available

## Ordering Examples Valves:

SC	E	210	C	587	230V / 50 Hz
SC	E	210	B	530	V 24V / DC
SC	8	210	D	589	115V / 50 Hz

prefix — pipe thread — basic number — voltage — suffix

## Ordering Examples Kits:

C302328	
C326548	V

basic number — suffix

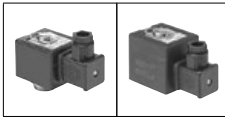
Standard prefixes/suffixes are also applicable to kits.

# ASCO™ Solenoid Valves

AISI 316 Stainless steel | 1/2" to 2"

2/2  
Series  
210

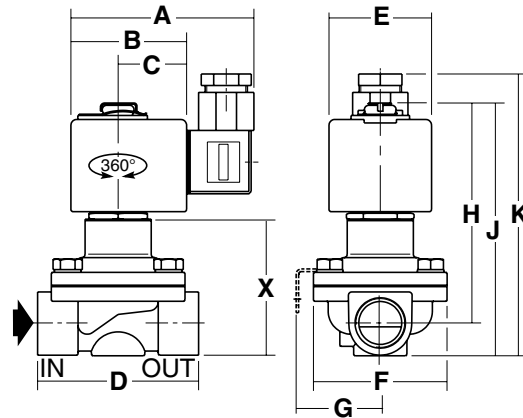
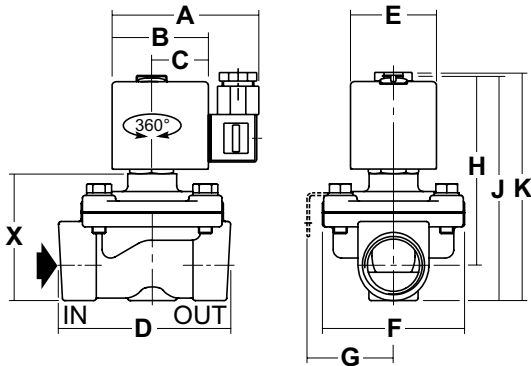
## Dimensions (mm), Weight (kg)



**TYPE 01-02**  
Prefix "SC" Solenoid  
Epoxy moulded  
IEC 335 / ISO 4400  
IP65

Type 01: SCE210C587/C588 (AC)  
Type 02: SCE210/C587/C588 (DC)  
SCE210D589 (AC/DC)

Type 01: SCE210B530/B538 (AC)  
Type 02: SCE210B530/B538 (DC)



Type	Prefix option	Catalog number	A	B	C	D	E	F	G	H	J	K	X	Weight <sup>(1)</sup>
01	SC	SCE210C587/C588	86	51	30	70	45	58	41	87	105	119	55	1.0
		SCE210B530/B538	86	51	30	71	45	58	41	98	116	127	67	1.0
02	SC	SCE210C587/C588	91	56	33	71	50	58	41	97	116	112	55	1.1
		SCE210D589	91	56	33	95	50	58	41	112	134	134	75	2.2
		SCE210B530/B538	91	56	33	71	50	58	41	105	123	119	67	1.1

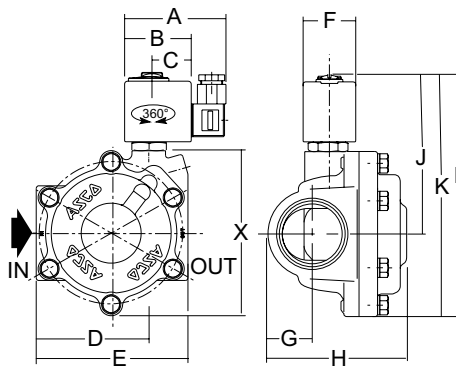
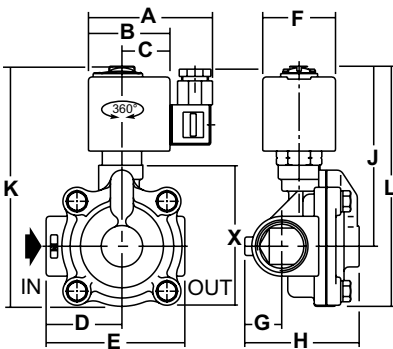
<sup>(1)</sup> Incl. coil(s) and connector(s)



**TYPE 03**  
Prefix "SC" Solenoid  
Epoxy moulded  
IEC 335 / ISO 4400  
IP65

Type 03: SCE210A130(AC/DC)

SCE210A131/A132/A133(AC/DC)



Type	Prefix option	Catalog number	A	B	C	D	E	F	G	H	J	K	L	X	Weight <sup>(1)</sup>
03	SC	SCE210A130	91	56	33	52	95	50	22	80	125	166	162	102	2.1
		SCE210A131/A132	91	56	33	58	115	50	33	99	128	177	174	109	2.7
		SCE210A133	91	56	33	64	129	50	39	117	138	208	205	140	4.3

<sup>(1)</sup> Incl. coil(s) and connector(s)

# ASCO™ Solenoid Valves

AISI 316 Stainless steel | 1/2" to 2"

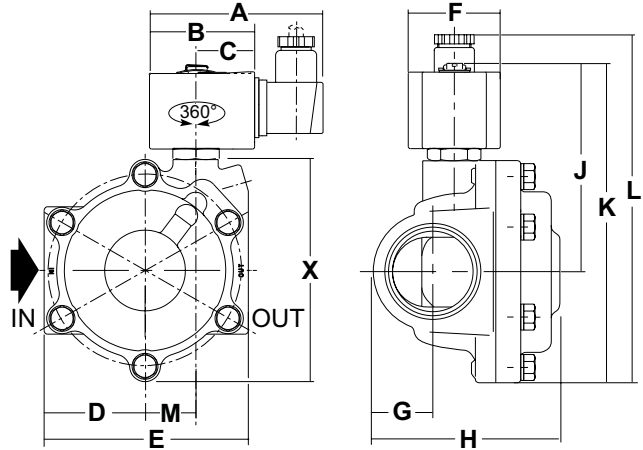
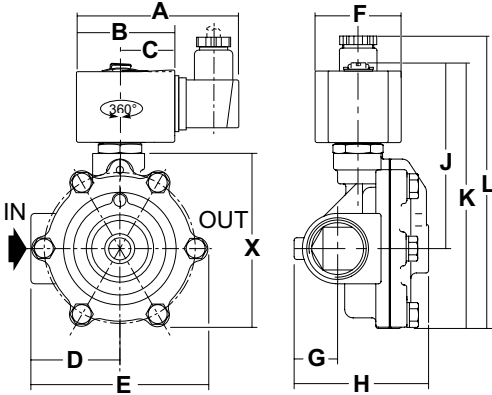
2/2  
Series  
210



**TYPE 04-05**  
Prefix "SC" Solenoid  
Epoxy moulded  
IEC 335 / ISO 4400  
IP65

Type 04 (AC): SCE210G125/127  
Type 05 (DC): SCE210G125/127

Type 04 (AC): SCE210G129  
Type 05 (DC): SCE210G129



Type	Prefix option	Catalog number	A	B	C	D	E	F	G	H	J	K	L	X	Weight <sup>(1)</sup>
04	SC	SCE210G125/G127	80	45	28	58	115	39	33	99	105	155	172	109	2.4
		SCE210G129	80	45	28	64	129	39	39	117	116	186	203	140	4.0
05	SC	SCE210C587/C588	85	50	30	58	115	45	33	99	110	159	175	109	2.6
		SCE210G129	85	50	30	64	129	45	39	117	120	190	206	140	4.2

<sup>(1)</sup> Incl. coil(s) and connector(s)

2024.001 - Availability, design and specifications are subject to change without notice.  
© 2023 Emerson Electric Co. All rights reserved.