

DN10/15 - 50

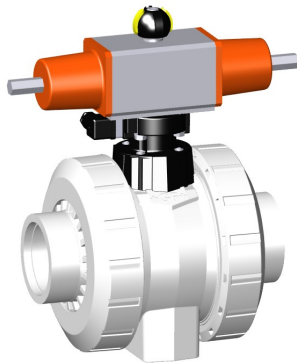
SYGEF Standard Ball valve type 232
Function FO (Fail safe to open)
Without manual override
With butt fusion spigots IR-Plus metric

Model:

- Material: PVDF
- Control time 90°<) 1-2s
- Assignment of actuators: PA11 (DN10/15-25), PA21 (DN32-50), PA30 (DN65), PA40 (DN80), PA40 (DN100)
- For easy installation and removal
- Integrated stainless steel mounting inserts

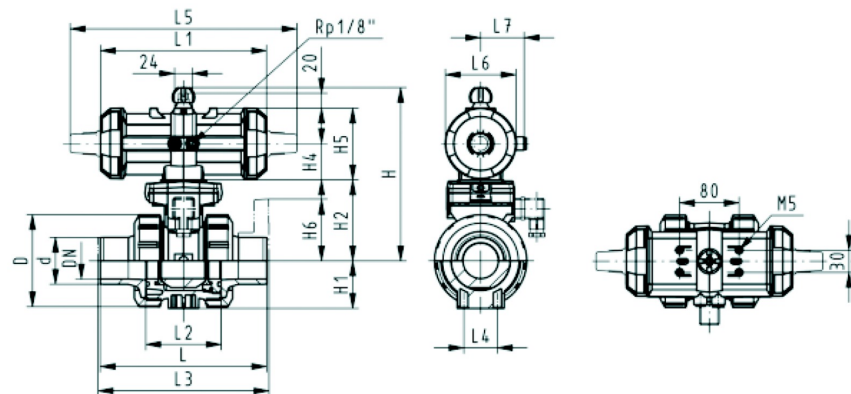
Option:

- Individual configuration of the valve



d (mm)	DN (mm)	PN (bar)	kv-value ($\Delta p=1$ bar) (L/min)	FKM Code	SP	Weight (kg)
20	15	10	185	199 232 873	1	1.200
25	20	10	350	199 232 874	1	1.198
32	25	10	700	199 232 875	1	1.335
40	32	10	1000	199 232 876	1	2.351
50	40	10	1600	199 232 877	1	2.800
63	50	10	3100	199 232 878	1	3.568
75	65	10	5000	199 232 879	1	9.500
90	80	10	7000	199 232 880	1	12.600
110	100	10	11000	199 232 881	1	19.100

d (mm)	D (mm)	H (mm)	H1 (mm)	H2 (mm)	H4 (mm)	H5 (mm)	L (mm)	L1 (mm)	L2 (mm)	L4 (mm)	L5 (mm)	L6 (mm)	L7 (mm)	e (mm)
20	50	159	27	62	40	77	130	194	56	25	261	76	48	2
25	58	168	30	71	40	77	130	194	65	25	261	76	48	2
32	68	168	36	71	40	77	130	194	71	25	261	76	48	2
40	84	202	44	84	51	99	130	224	85	45	305	95	59	2
50	97	202	51	84	51	99	130	224	89	45	305	95	59	3
63	124	225	64	106	51	99	130	224	101	45	305	95	59	3
75	166	262	85	156		70	266	218	136	70	276	65		4
90	200	281	105	168		70	264	259	141	70	341	72		4
110	238	292	123	175		70	301	287	164	120	369	80		5



The technical data are not binding. They neither constitute expressly warranted characteristics nor guaranteed properties nor a guaranteed durability. They are subject to modification. Our General Terms of Sale apply.

Data sheet

valid from: 8/21/21



Georg Fischer Piping Systems Ltd, Postfach, CH-8201 Schaffhausen/Switzerland

Phone +41 -(0)52-631 1111

e-mail: info.ps@georgfischer.com

Internet: <http://www.gfps.com>