



PROGEF Standard Diaphragm valve type 317 With flanges metric

Model:

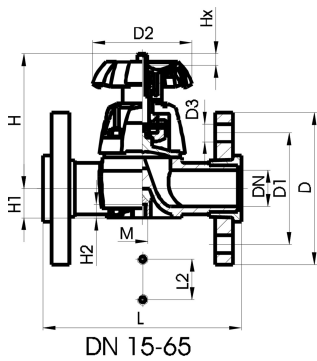
- Material: PP-H
- Joining faces flat/serrated
- DN65 with PP-V backing flange
- DN 80-150 with fixed flange
- Overall length according to EN 558
- Connecting dimension: ISO 7005 / EN 1092 / DIN 2501 PN10 / BS4504

Option:

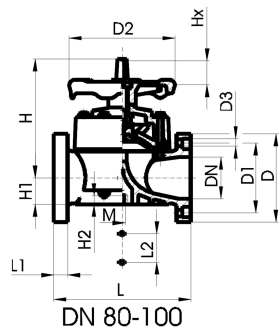
- Handwheel lockable DN65 (basic version not lockable)

* DN80 and DN150 fixed flanges metric and inch ANSI B16.5

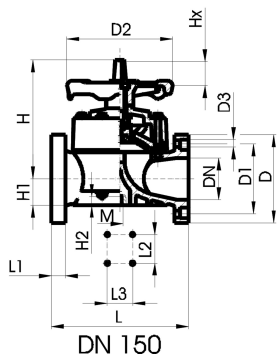
	d (mm)	Size (inch)	DN (mm)	PN (bar)	kv-value ($\Delta p=1$ bar) (l/min)	NBR Code	Weight (kg)	EPDM Code	Weight (kg)
	75	2 1/2	65	10	992	167 317 158	4.700	167 317 173	4.651
*	90	3	80	10	1700	167 317 009	7.954	167 317 024	8.689
	110	4	100	6	2700	167 317 010	11.291	167 317 025	11.237
*	160	6	150	6	6033	167 317 012	25.000	167 317 027	24.707



d (mm)	CSM Code	Weight (kg)	PTFE with EPDM supporting diaphragm Code	Weight (kg)
75	167 317 203	4.700	167 317 188	5.480
*	167 317 054	8.200	167 317 039	8.088
110	167 317 055	11.500	167 317 040	11.439
*	167 317 057	25.000	167 317 042	25.000



d (mm)	D (mm)	D1 (mm)	D2 (mm)	D3 (mm)	H (mm)	H1 (mm)	H2 (mm)	L (mm)	L1 (mm)	L2 (mm)	L3 (mm)	M	Lift = Hx (mm)	AL	
75	185	145	152	18	210	46	15	290		70		M8	35	4	
*	90	200	160	270	18	265	57	23	310	35	120		M12	40	8
	110	225	180	270	18	304	69	23	350	38	120		M12	50	8
*	160	282	241	400	23	437	108	23	480	29	100	200	M12	70	8



The technical data are not binding. They neither constitute expressly warranted characteristics nor guaranteed properties nor a guaranteed durability. They are subject to modification. Our General Terms of Sale apply.

Data sheet

valid from: 9/24/21



Georg Fischer Piping Systems Ltd, Postfach, CH-8201 Schaffhausen/Switzerland

Phone +41 -(0)52-631 1111

e-mail: info.ps@georgfischer.com

Internet: <http://www.gfps.com>