



**Metal - butterfly valve type 039E 100-230V 50-60Hz
Without manual override DN350-1200 metric**

Model:

- Housing: Ductile Iron ASTM A 395, Epoxy coated
- Seatliner available in EPDM, FKM on request
- Disc available in Aluminium Bronze on request
- Electric actuator: Auma Type SA-07
- Up to DN 1200: Overall length according to EN 558, line 20, ISO 5752
- Connecting dimension: EN 1092 PN10

d (mm)	DN (mm)	PN (bar)	kv-value ($\Delta p=1$ bar) (l/min)	Disc: ductile iron: EPOXY coated EPDM Code	SP	Weight (kg)	Disc: stainless steel EPDM Code	SP	Weight (kg)
355	350	10	143360	198 039 300	1	0.001	198 039 310	1	0.001
400	400	10	186700	198 039 301	1	0.001	198 039 311	1	0.001
450	450	10	258390	198 039 302	1	136.500	198 039 312	1	0.001
500	500	10	316730	198 039 303	1	171.000	198 039 313	1	0.001
630	600	10	431750	198 039 304	1	0.001	198 039 314	1	0.001
700	700	10	618333	198 039 305	1	0.001	198 039 315	1	0.001
800	800	10	675000	198 039 306	1	682.000	198 039 316	1	682.000
900	900	10	1005200	198 039 307	1	749.000	198 039 317	1	749.000
1000	1000	10	1306930	198 039 308	1	0.001	198 039 318	1	0.001
1200	1200	10	1907050	198 039 309	1	0.001	198 039 319	1	1339.000

d (mm)	Disc: ductile iron: EPOXY coated FKM Code	SP	Weight (kg)	Disc: stainless steel FKM Code	SP	Weight (kg)
355	198 039 340	1	76.200	198 039 350	1	76.200
400	198 039 341	1	98.200	198 039 351	1	98.200
450	198 039 342	1	136.500	198 039 352	1	136.500
500	198 039 343	1	171.000	198 039 353	1	171.000
630	198 039 344	1	343.000	198 039 354	1	343.000
700	198 039 345	1	476.000	198 039 355	1	476.000
800	198 039 346	1	682.000	198 039 356	1	682.000
900	198 039 347	1	749.000	198 039 357	1	749.000
1000	198 039 348	1	1028.000	198 039 358	1	1028.000
1200	198 039 349	1	1339.000	198 039 359	1	1339.000

d (mm)	Actuator unit type	D (mm)	D1 (mm)	D2 (mm)	H1 (mm)	H2 (mm)	H3 (mm)	L (mm)	L2 (mm)	L3 (mm)	L4 (mm)	M (mm)	Q1 (mm)
355	GS 80	21	460	442	291	307	307	78	130	527	514	20	332
400	GS 80	25	515	493	325	342	307	102	154	527	514	24	382
450	GS 100	25	565	544	357	387	321	113	182	690	514	24	432
500	GS 125	25	620	601	381	425	321	126	182	690	514	24	478
630	GS 125	28	725	695	488	532	330	146	286	710	744	27	585
700	GS 125	28	840	798	506	573	330	175	286	710	744	27	683
800	GS 160	31	950	908	578	650	313	215	286	990	514	30	755
900	GS 160	31	1050	1004	643	707	323	246	370	990	538	30	852
1000	GS 160	34	1160	1114	729	755	323	280	370	990	538	33	958
1200	GS 200	37	1380	1330	855	900	348	360	510	1133	538	36	1098

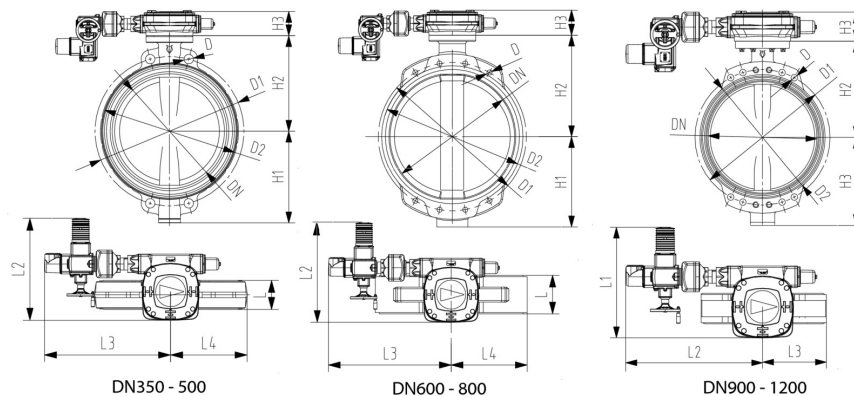
d (mm)	N (mm)
355	16
400	16
450	20
500	20
630	20

Data sheet

valid from: 10/22/20



d (mm)	N (mm)
700	24
800	24
900	28
1000	28
1200	32



The technical data are not binding. They neither constitute expressly warranted characteristics nor guaranteed properties nor a guaranteed durability. They are subject to modification. Our General Terms of Sale apply.

Georg Fischer Piping Systems Ltd, Postfach, CH-8201 Schaffhausen/Switzerland

Phone +41 -(0)52-631 1111

e-mail: info.ps@georgfischer.com

Internet: <http://www.gfps.com>