

DN10/15 - 50

PROGEF Standard Ball valve type 231
FC (Fail safe to close)
Without manual override
With fixed flanges PP-H serrated metric

Model:

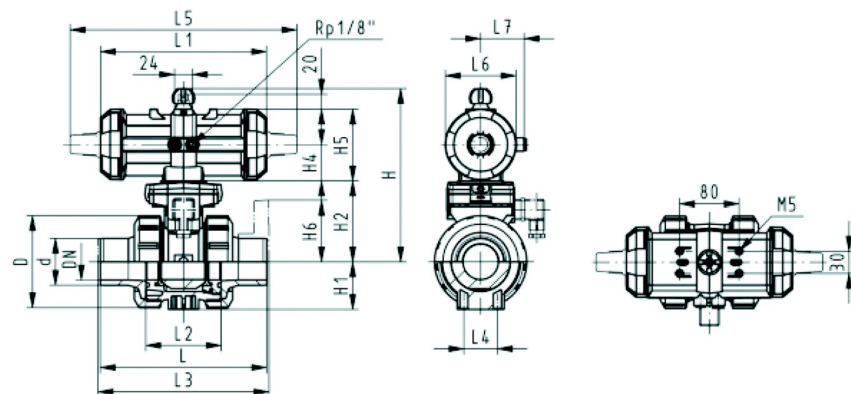
- Material: PP-H
- Built on with pneumatic actuator PA11 (DN10/15-25), PA21 (DN32-50)
- Control time 90°<) 1-2s
- For easy installation and removal
- Integrated stainless steel mounting inserts
- Overall length according to EN 558
- Connecting dimension: ISO 7005 / EN 1092 / DIN 25 PN10 / BS4504

Option:

- Individual configuration of the valve

d (mm)	Size (inch)	DN (mm)	PN (bar)	kv-value ($\Delta p=1$ bar) (L/min)	EPDM Code	SP	Weight (kg)	FKM Code	SP	Weight (kg)
20	½	15	10	185	199 231 423	1	1.400	199 231 433	1	1.400
25	¾	20	10	350	199 231 424	1	1.600	199 231 434	1	1.600
32	1	25	10	700	199 231 425	1	1.800	199 231 435	1	1.377
40	1 ¼	32	10	1000	199 231 426	1	3.100	199 231 436	1	3.100
50	1 ½	40	10	1600	199 231 427	1	2.631	199 231 437	1	3.600
63	2	50	10	3100	199 231 428	1	3.348	199 231 438	1	4.700

d (mm)	D (mm)	H (mm)	H1 (mm)	H2 (mm)	H4 (mm)	H5 (mm)	H6 (mm)	L (mm)	L1 (mm)	L2 (mm)	L3 (mm)	L4 (mm)	L5 (mm)	L6 (mm)	L7 (mm)
20	50	159	27	62	40	77	48	120	194	56	130	25	261	76	48
25	58	168	30	71	40	77	53	140	194	65	149	25	261	76	48
32	68	168	36	71	40	77	58	150	194	71	160	25	261	76	48
40	84	202	44	84	51	99	70	170	224	85	179	45	305	95	59
50	97	202	51	84	51	99	75	190	224	89	197	45	305	95	59
63	124	225	64	106	51	99	83	220	224	101	227	45	305	95	59



The technical data are not binding. They neither constitute expressly warranted characteristics nor guaranteed properties nor a guaranteed durability. They are subject to modification. Our General Terms of Sale apply.

Georg Fischer Piping Systems Ltd, Postfach, CH-8201 Schaffhausen/Switzerland

Phone +41 -(0)52-631 1111

e-mail: info.ps@georgfischer.com

Internet: <http://www.gfps.com>