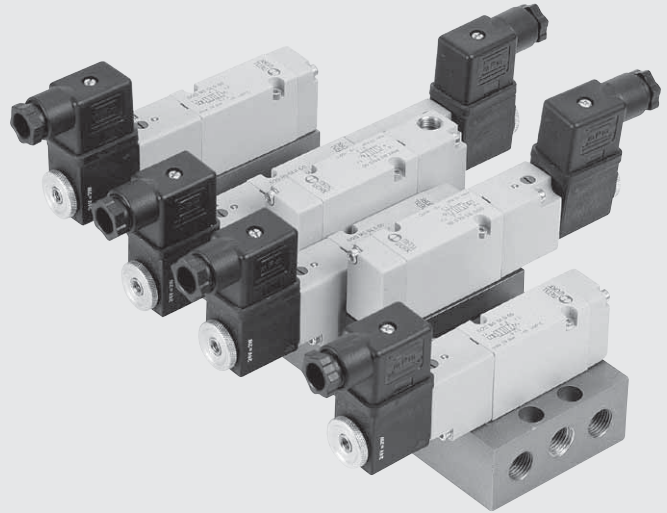


# VALVES SERIES 70 ON BASE

The series 70 valves on base, available in the air- and solenoid-actuated versions, is an excellent clean solution for use when it is necessary to intervene on the valves without disconnecting the pipes. Here, the inlet, output and utility ports are in the base.



DISTRIBUTORS

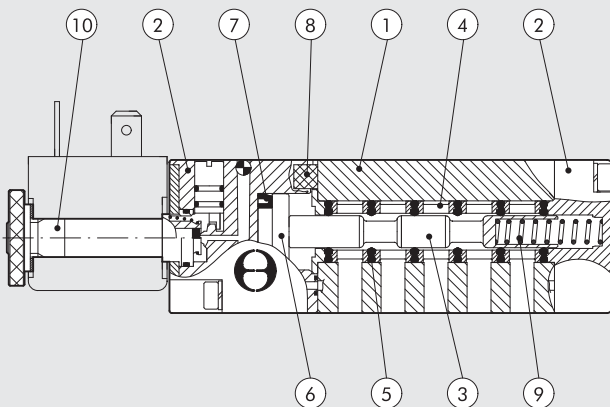
VALVES SERIES 70 ON BASE

## TECHNICAL DATA

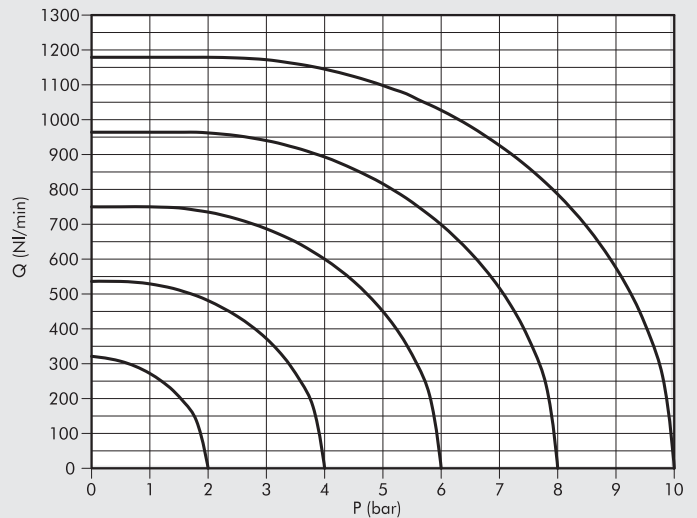
Operating pressure:		
• monostable	bar	2.5 to 10
• bistable	bar	1 to 10
• pilot-assisted	bar	Vacuum to 10
Minimum pilot pressure	bar	2.5
Operating temperature range	°C	-10 to +60
Nominal diameter	mm	5
Conductance C	NI/min · bar	107.69
Critical ratio b	bar/bar	0.29
Flow rate at 6 bar ΔP 0.5 bar	NI/min	320
Flow rate at 6 bar ΔP 1 bar	NI/min	450
Maximum torque coil nut	Nm	1

## COMPONENTS

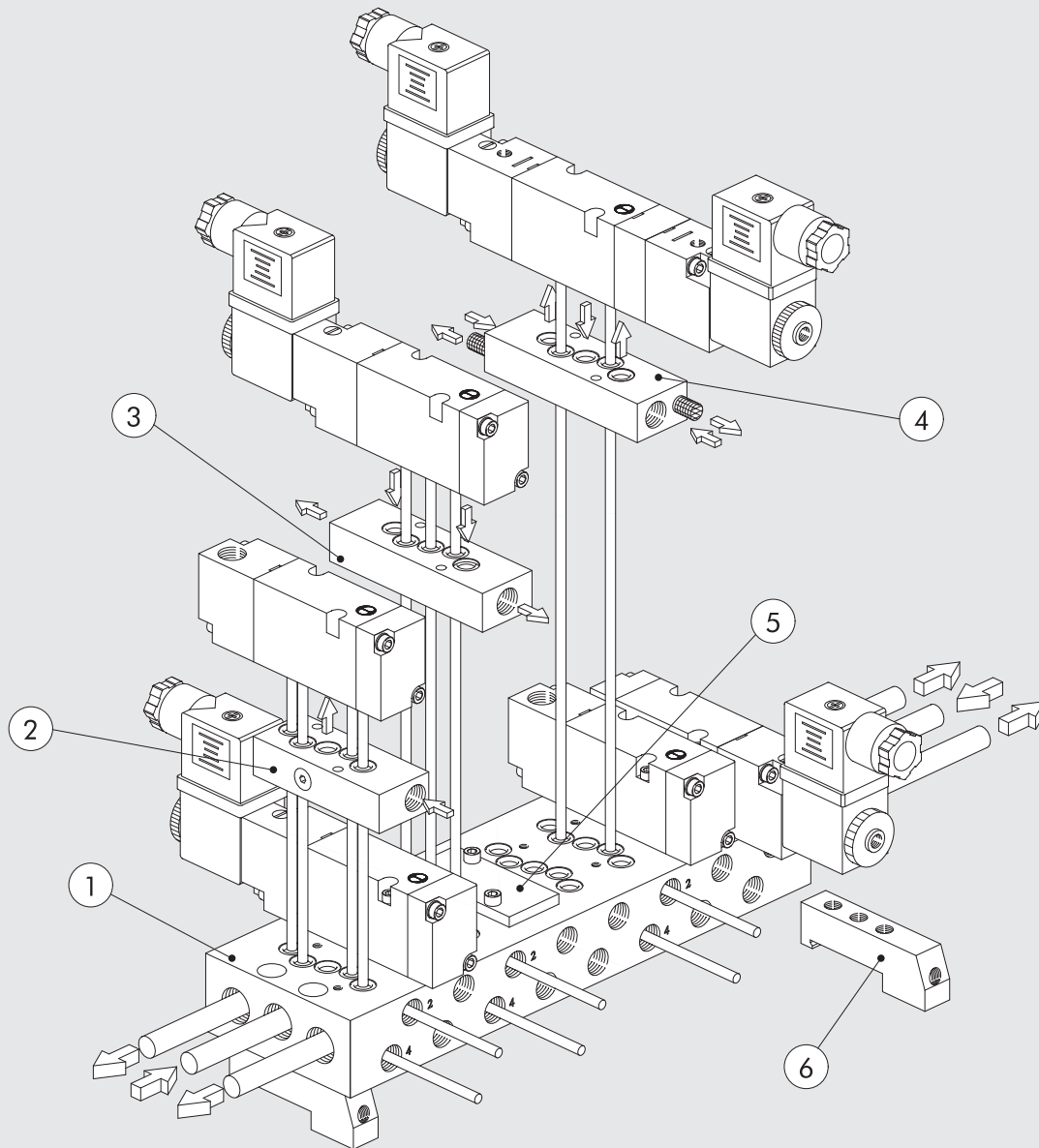
- ① VALVE BODY: Aluminium
- ② CONTROL/BASE: Hostaform®
- ③ SPOOL: chemically nickel-plated aluminium
- ④ DISTANCE PLATES: plastic
- ⑤ GASKETS: NBR
- ⑥ PISTONS: Hostaform®
- ⑦ PISTON GASKET: NBR
- ⑧ FILTER: sintered Bronze
- ⑨ SPRINGS: special steel
- ⑩ OPERATOR: Brass pipe – Stainless steel core



## FLOW CHART



**MULTI-PURPOSE BASE FOR VALVES SERIES 70 ON BASE**



**DISTRIBUTORS**  
VALVES SERIES 70 ON BASE

Reference	Code	Description
①	0223100201	2-position base 1/8 on base
	0223100401	4-position base 1/8 on base
	0223100601	6-position base 1/8 on base
	0223100801	8-position base 1/8 on base
	0223101001	10-position base 1/8 on base
②	0223106301	Separate feed kit
③	0223106303	Exhaust regulation kit
④	0223106302	Exhaust feed kit
⑤	0223106500	Blanking plate
⑥	0226004600	Adapter for omega bar

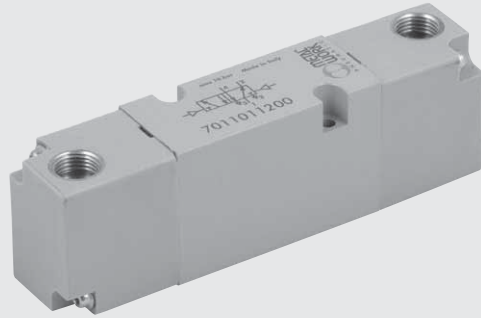
**SYNOPTIC, SIZES AND VERSIONS**

P N V FAMILY		B DIMENSIONS	5 FUNCTION	P N OPERATORS 14	S RESETTING (12)	O O FURTHER DETAILS
PNV	pneumatic	B 1/8" on base	5 5/2	PN pneumatic	S mechanical springs	OO 5/2
SOV	electro-pneumatic		6 5/3	SO solenoid SE solenoid assisted	B bistable D differential	CC closed centres OC open centres PC pressure centres

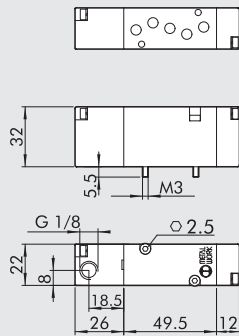
## VALVES, SERIES 70, PNEUMATIC, ON BASE

### TECHNICAL DATA

Operating pressure	bar	Vacuum to 10
Minimum actuation pressure:		
• monostable	bar	2.5
• bistable	bar	1
Operating temperature range	°C	-10 to +60
Nominal diameter	mm	5
Conductance C	Nl/min · bar	107.69
Critical ratio b	bar/bar	0.29
Flow rate at 6 bar ΔP 0.5 bar	Nl/min	320
Flow rate at 6 bar ΔP 1 bar	Nl/min	450
TRA / TRR monostable at 6 bar	ms	6/15
TRA / TRR bistable at 6 bar	ms	7/7

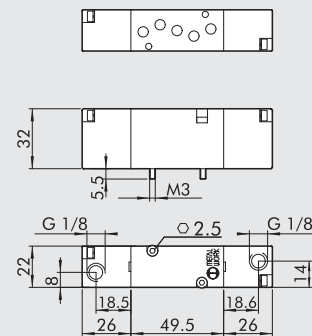


### MONOSTABLE 5/2



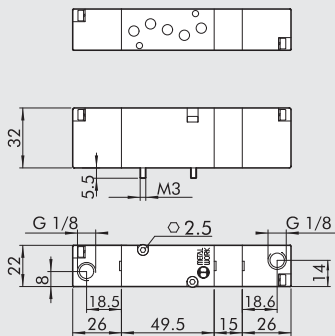
Symbol	Code	Abbrev.	Weight [g]
	7011011100	PNV B5 PNS OO	125

### BISTABLE 5/2



Symbol	Code	Abbrev.	Weight [g]
	7011011200	PNV B5 PNB OO	136
	7011011300	PNV B5 PND OO	142

### MONOSTABLE 5/3



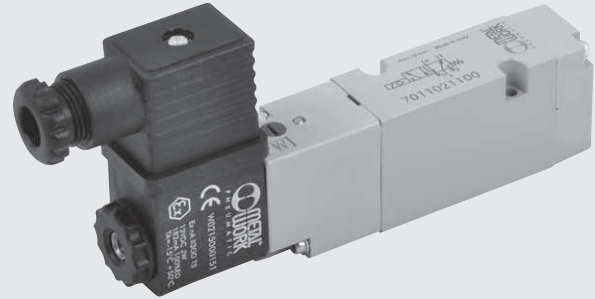
Symbol	Code	Abbrev.	Weight [g]
	7011012100	PNV B6 PNS CC	164
	7011012200	PNV B6 PNS OC	164
	7011012300	PNV B6 PNS PC	164

### NOTES

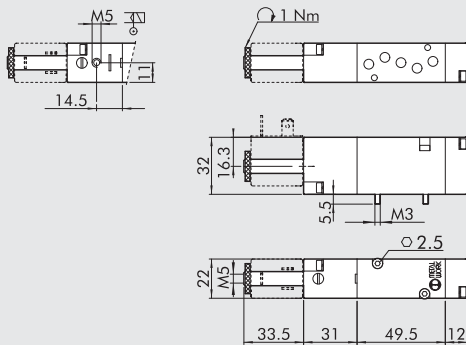
# VALVES SERIES 70, SOLENOID/PNEUMATIC ON BASE

## TECHNICAL DATA

Operating pressure:		
• monostable	bar	2.5 to 10
• bistable	bar	1 to 10
• pilot-assisted	bar	Vacuum to 10
Minimum pilot pressure	bar	2.5
Operating temperature range	°C	-10 to +60
Nominal diameter	mm	5
Conductance C	Nl/min · bar	107.69
Critical ratio b	bar/bar	0.29
Flow rate at 6 bar ΔP 0.5 bar	Nl/min	320
Flow rate at 6 bar ΔP 1 bar	Nl/min	450
TRA / TRR monostable at 6 bar	ms	15 / 35
TRA / TRR bistable at 6 bar	ms	20 / 20
<b>Electrical technical data</b>		
Coil voltage values		12; 24VDC - 24; 110; 220VAC 50/60Hz
Power		2 W (DC) 3.5VA (AC)
Voltage tolerance	%	-10 to +15
Insulation class		F 155
Maximum coil nut torque	Nm	1

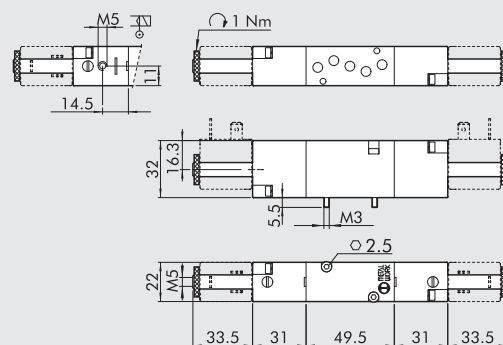


## MONOSTABLE 5/2



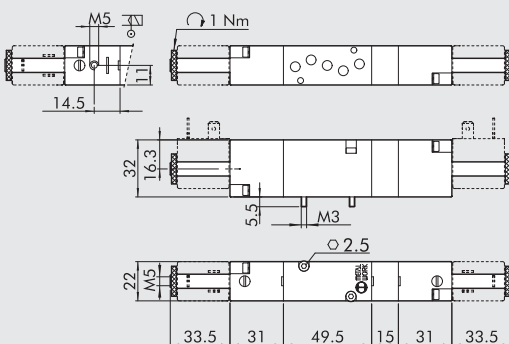
Symbol	Code	Abbrev.	Weight [g]
	7011021100	SOV B5 SOS OO	142
	7011021500	SOV B5 SES OO	143

## BISTABLE 5/2



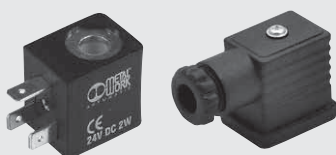
Symbol	Code	Abbrev.	Weight [g]
	7011021200	SOV B5 SOB OO	174
	7011021300	SOV B5 SOD OO	180
	7011021600	SOV B5 SEB OO	174

## MONOSTABLE 5/3



Symbol	Code	Abbrev.	Weight [g]
	7011022100	SOV B6 SOS CC	204
	7011022200	SOV B6 SOS OC	204
	7011022300	SOV B6 SOS PC	204
	7011022400	SOV B6 SES CC	202
	7011022500	SOV B6 SES OC	202
	7011022600	SOV B6 SES PC	202

## ACCESSORIES



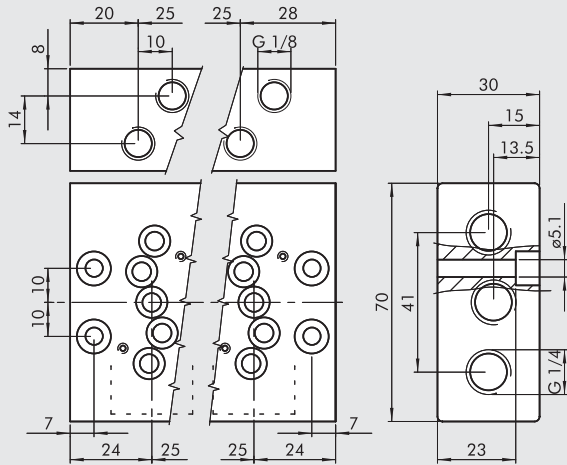
Refer to page B1.54 for coils and connectors

DISTRIBUTORS

VALVES SERIES 70 ON BASE

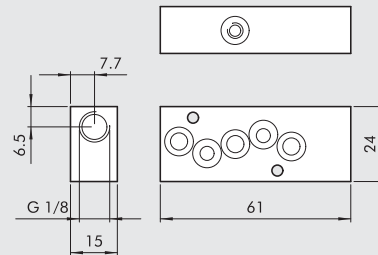
## ACCESSORIES: MULTIPLE BASES

### ① MULTIPLE BASE



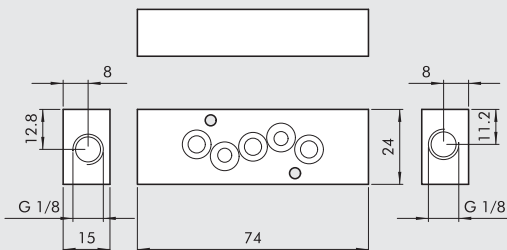
Code	Description	Weight [g]
0223100201	2-position base 1/8 on base	341
0223100401	4-position base 1/8 on base	591
0223100601	6-position base 1/8 on base	855
0223100801	8-position base 1/8 on base	1093
0223101001	10-position base 1/8 on base	1352

### ② SEPARATE FEED KIT



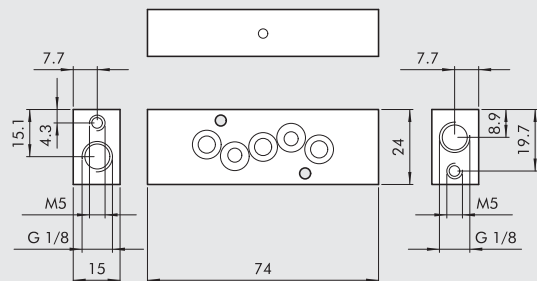
Code	Description	Weight [g]
0223106301	Separate feed kit 1/8	65

### ③ EXHAUST REGULATION KIT



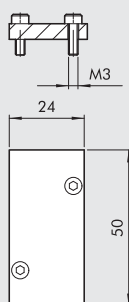
Code	Description	Weight [g]
0223106303	Exhaust regulation kit 1/8	75

### ④ EXHAUST FEED KIT



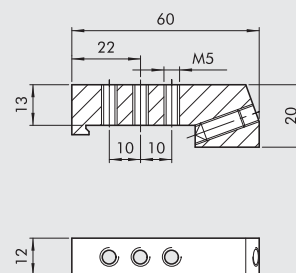
Code	Description	Weight [g]
0223106302	Exhaust feed kit 1/8	75

### ⑤ BLANKING PLATE



Code	Description	Weight [g]
0223106500	Blanking plate 1/8	15

### ⑥ ADAPTER FOR BAR OMEGA (DIN EN 50022)



Code	Description	Weight [g]
0226004600	Adapter for bar omega 1/8"	46