



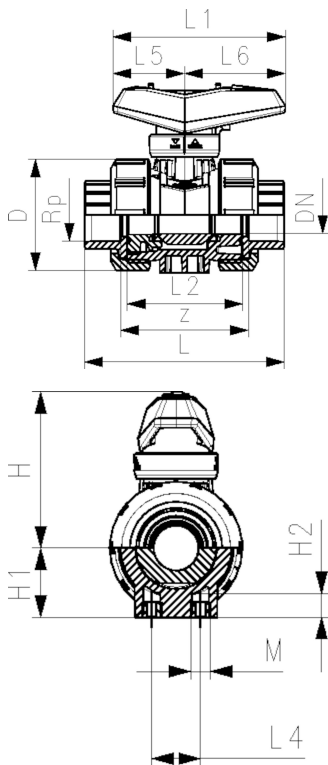
Ball valve type 546 Pro ABS With threaded sockets Rp

Model:

- Lockable lever as standard (DN10-DN50)
- For easy installation and removal
- Ball seals PTFE
- Integrated stainless steel mounting inserts
- Z-dimension, valve end and union nut **are compatible** with type 546 (1st Generation)

Option:

- Interface-module with position feedback sensor, incl. LED feedback (DN10-50)
- Manual spring return lever ("Dead man") (DN10-25)
- Pneumatic or electric actuators from GF
- Individual configuration of the valve possible
- Multifunctional module with integrated limit switches (DN65-100)



d (inch)	d (mm)	Thread Type	Size (inch)	DN (mm)	PN (bar)	kv-value ($\Delta p=1$ bar) (L/min)	EPDM Code	SP	Weight (kg)
3/8	16	Rp	3/8	10	10	71	169 546 021	1	0.112
1/2	20	Rp	1/2	15	10	185	169 546 022	1	0.114
3/4	25	Rp	3/4	20	10	350	169 546 023	1	0.178
1	32	Rp	1	25	10	700	169 546 024	1	0.258
1 1/4	40	Rp	1 1/4	32	10	1000	169 546 025	1	0.457
1 1/2	50	Rp	1 1/2	40	10	1600	169 546 026	1	0.642
2	63	Rp	2	50	10	3100	169 546 027	1	1.175

D (mm)	H (mm)	H1 (mm)	H2 (mm)	L (mm)	L1 (mm)	L2 (mm)	L4 (mm)	L5 (mm)	L6 (mm)	M	z (mm)
50	61	27	12	95	82	56	25	35	47	M6	73
50	61	27	12	100	82	56	25	35	47	M6	71
58	74	30	12	114	106	65	25	44	62	M6	82
68	80	36	12	127	106	71	25	44	62	M6	89
84	95	44	15	146	131	85	45	57	74	M8	104
97	102	51	15	152	131	89	45	57	74	M8	110
124	117	64	15	176	152	101	45	66	86	M8	125

The technical data are not binding. They neither constitute expressly warranted characteristics nor guaranteed properties nor a guaranteed durability. They are subject to modification. Our General Terms of Sale apply.

Georg Fischer Piping Systems Ltd, Postfach, CH-8201 Schaffhausen/Switzerland

Phone +41 -(0)52-631 1111

e-mail: info.ps@georgfischer.com

Internet: <http://www.gfps.com>