

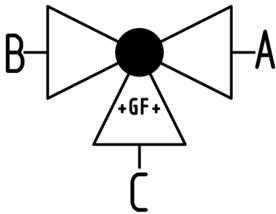
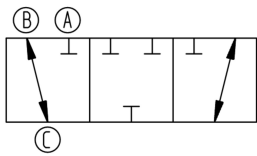
3-Way ball valve type 543 PVC-U
Vertical/L-port
With lockable handle
With solvent cement sockets metric

Model:

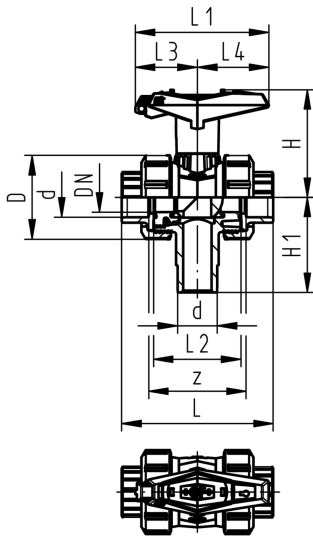
- Vertical inlet solvent cement spigot metric
- Easy installation and removal using union on third outlet
- Ball seals PTFE
- Electric actuator available separately
- Angle of operation 360° without turn limiter
- Multifunctional lever red with ratched setting 45°, lockable
- Delivery status B-C opened, see flow scheme

Mode of action:

- For interconnection of two inputs



d (mm)	DN (mm)	PN (bar)	kv-value ($\Delta p=1$ bar) (L/min)	EPDM Code	SP	FKM Code	SP	Weight (kg)
16	10	10	49	161 543 501	1	161 543 511	1	0.185
20	15	10	77	161 543 502	1	161 543 512	1	0.189
25	20	10	146	161 543 503	1	161 543 513	1	0.281
32	25	10	260	161 543 504	1	161 543 514	1	0.398
40	32	10	437	161 543 505	1	161 543 515	1	0.663
50	40	10	667	161 543 506	1	161 543 516	1	0.927
63	50	10	1293	161 543 507	1	161 543 517	1	1.666



d (mm)	D (mm)	H (mm)	H1 (mm)	L (mm)	L1 (mm)	L2 (mm)	L3 (mm)	L4 (mm)	z (mm)	closest inch (inch)
16	50	79	62	92	87	56	42	45	64	3/8
20	50	79	62	95	87	56	42	45	64	1/2
25	58	88	72	111	108	66	50	58	74	3/4
32	68	94	77	123	108	71	50	58	79	1
40	84	113	87	146	140	85	66	74	95	1 1/4
50	97	119	97	157	140	89	66	74	95	1 1/2
63	124	141	112	183	165	101	78	87	107	2

The technical data are not binding. They neither constitute expressly warranted characteristics nor guaranteed properties nor a guaranteed durability. They are subject to modification. Our General Terms of Sale apply.

Georg Fischer Piping Systems Ltd, Postfach, CH-8201 Schaffhausen/Switzerland

Phone +41 -(0)52-631 1111

e-mail: info.ps@georgfischer.com

Internet: <http://www.gfps.com>