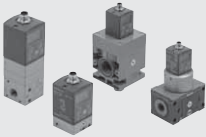


# SUMMARY PRECISION REGULATION AND PRESSURE CONTROL



- **PRECISION PRESSURE REGULATOR WITH HIGH EXHAUST FLOW, SERIE GS**

C6.2



- **PROPORTIONAL PRECISION PRESSURE REGULATOR REGTRONIC SERIES**

C6.6



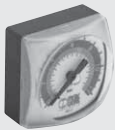
- **PRESSURE SWITCHES**

C6.17



- **DIGITAL PRESSURE SWITCH**

C6.19



- **SQUARE DIAL PRESSURE GAUGE**

C6.22

# PRECISION PRESSURE REGULATOR WITH HIGH EXHAUST FLOW, SERIE GS

GS is a series of precision regulators, designed for rapid relief of overpressure and a high flow rate. They feature identical and opposing regulation valves on the inlet and outlet sides. This enables the regulator to behave symmetrically – precise regulation with a high rate of flow both in and out. The pressure setting is virtually insensitive to changes in the upstream pressure (see diagram below), which guarantees accuracy even when the mains pressure fluctuates considerably. A slight escape of air is required for correct operation of the regulator – it must not be considered a defect. The regulator can be fixed using the through holes in the body or a bracket accessory. The body has a 1/8" pressure gauge fitting. GS regulators are suitable for applications requiring good accuracy in maintaining the pressure and a certain sensitivity in relieving pressure peaks, e.g. to supply low-friction cylinders, reel tensioners and coil winders. Two sizes of compressed air fitting are available: 1/8" and 1/4". Three different setting ranges are available: 0 to 2 bar, 0 to 4 bar and 0 to 8 bar.

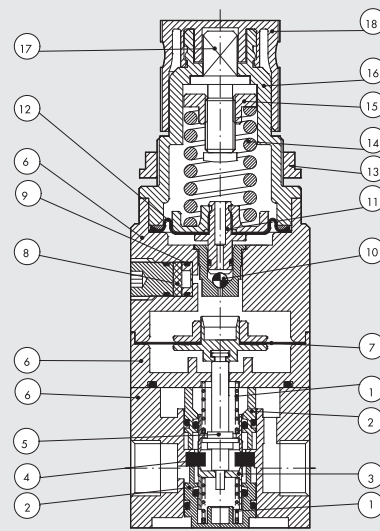


## TECHNICAL DATA

	1/8"	1/4"
Threaded port	1/8"	1/4"
Setting range	0 to 2 - 0 to 4 - 0 to 8	
Max. input pressure	10	
Flow rate at 6.3 bar ΔP 0.5 bar	900	1170
Flow rate at 6.3 bar ΔP 1 bar	1200	1380
Fluid	Unlubricated filtered air The air must be at least 10 μm pre-filtered	
Temperature range	From -10 to +50	
Mounting position	In any position	
Pressure gauge port	G 1/8"	
Weight	600	
Exhaust flow rate at 4 bar (regulated pressure)		
ΔP 0.1 bar	450	810
ΔP 0.5 bar	900	1190
Variation in regulated pressure (2 bar) with changes in upstream pressure (4-10 bar)	± 20	
Relieving sensitivity	30	
Air consumption – continuous escape	< 0.1	
Notes	The regulator pressure must always be set upwards. For increased sensitivity, use a pressure regulator with a rated pressure as close as possible to the required value. <b>Do not take air from pressure gauge ports.</b>	

## COMPONENTS

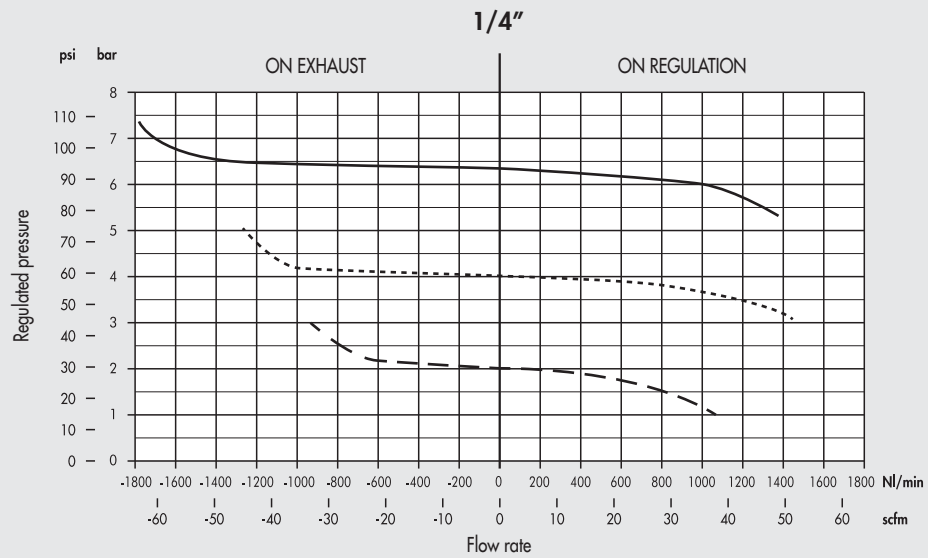
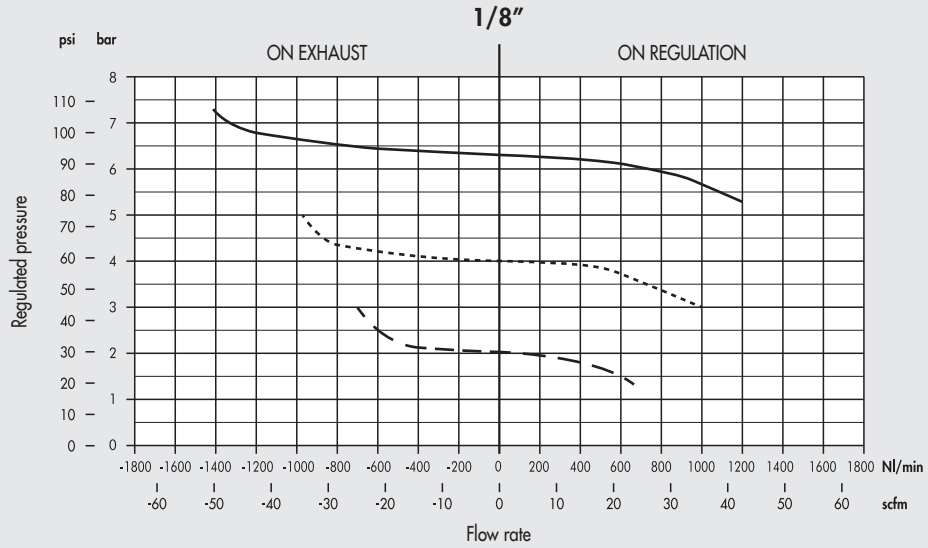
- ① Spring: stainless steel
- ② Cartridges: nickel-plated brass
- ③ Poppet: nickel-plated brass
- ④ Ring: vulcanized NBR
- ⑤ Control lever: brass
- ⑥ Bodies: painted aluminium
- ⑦ Control diaphragm: oil-proof rubber
- ⑧ Filter: sintered bronze
- ⑨ Throttle cartridge: brass
- ⑩ Ball: stainless steel
- ⑪ Ball valve: brass
- ⑫ Regulation diaphragm: NBR
- ⑬ Ring nut: technopolymer
- ⑭ Adjusting spring: steel
- ⑮ Scroll: brass
- ⑯ Bell: technopolymer
- ⑰ Adjusting screw: brass
- ⑱ Knob: technopolymer



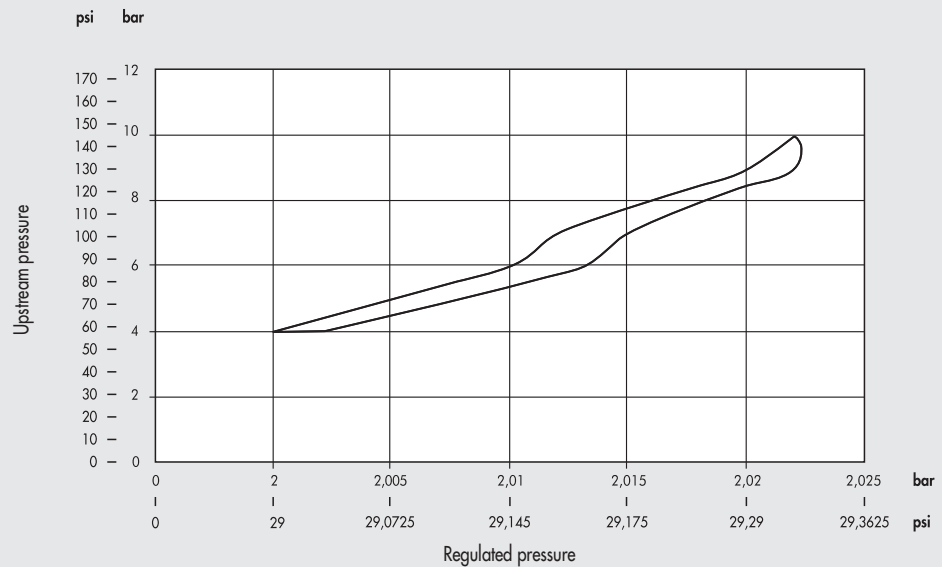
**FLOW RATE**

Upstream pressure = 10 bar

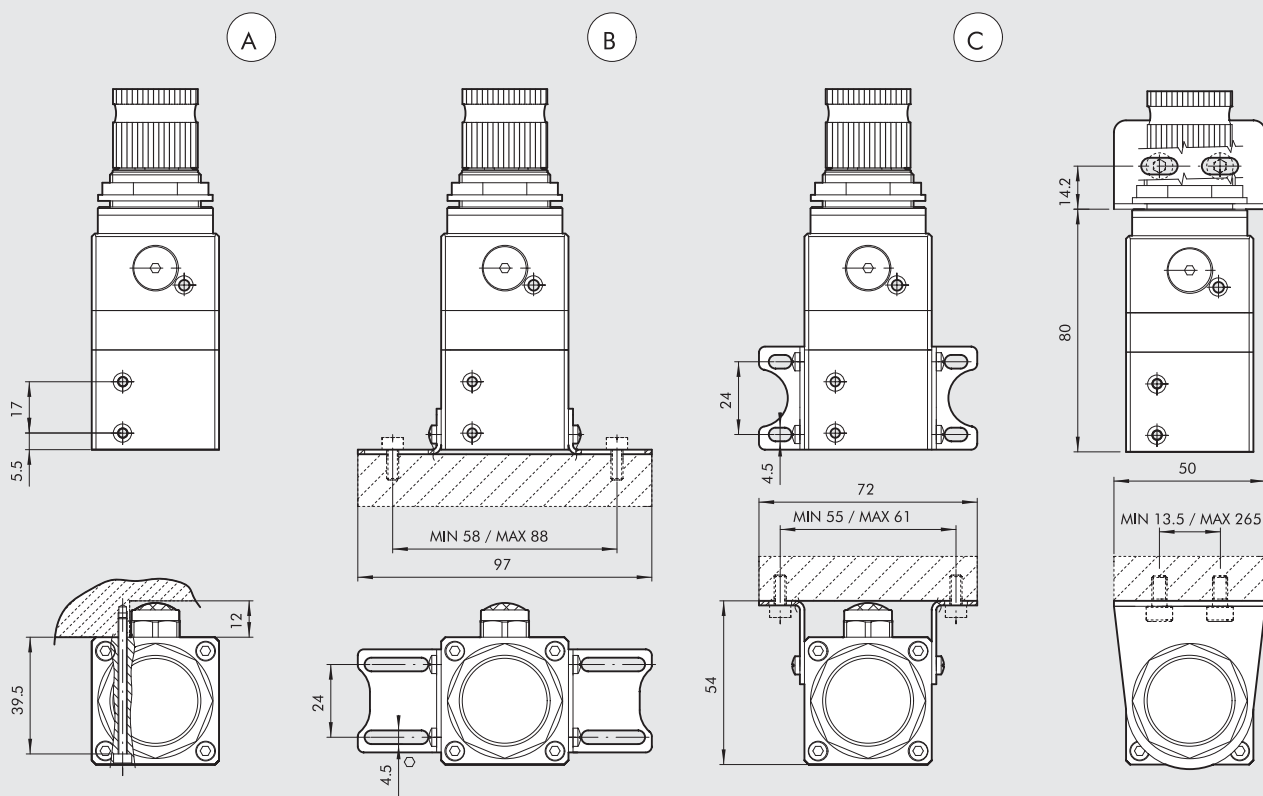
- P<sub>reg</sub> = 2 bar
- P<sub>reg</sub> = 4 bar
- P<sub>reg</sub> = 6.3 bar



**UPSTREAM PRESSURE SENSITIVITY**

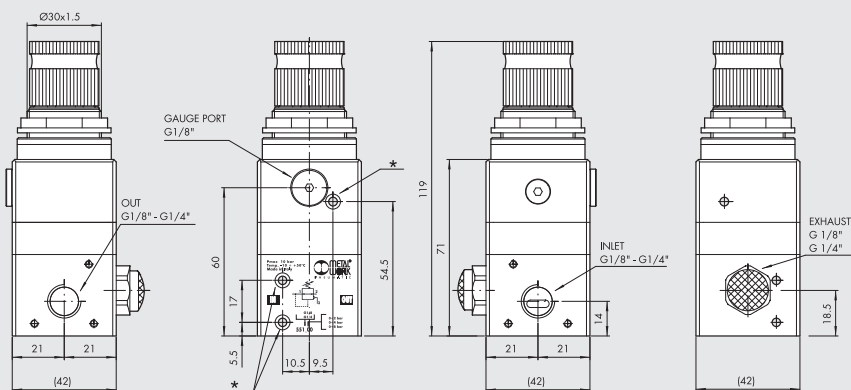


INSTALLATION



- Ⓐ On the wall with 2 M3 hex screws
- Ⓑ On the base with legs code 9200710
- Ⓒ On the wall with legs code 9200710
- Ⓓ On the wall with bracket code 9200701

DIMENSIONS



Code	Description
5511200	REG. GS 1/8 02
5511300	REG. GS 1/8 04
5511400	REG. GS 1/8 08
5512200	REG. GS 1/4 02
5512300	REG. GS 1/4 04
5512400	REG. GS 1/4 08

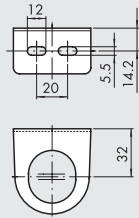
\* M3 hole

**ACCESSORIES**

**SPARES PARTS**

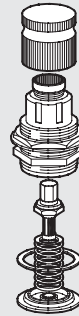
P N E U M A T I C

**R/FR FIXING BRACKET**



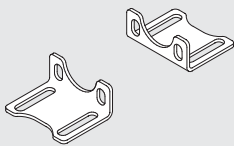
Code	Description
9200701	SF100 - BIT - ND 1/4 - SY1

**UPPER COVER FOR REG GS**



Code	Description
9250835	SPARES CS REG GS 02
9250836	SPARES CS REG GS 04
9250837	SPARES CS REG GS 04

**FIXING BRACKET KIT**

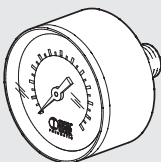


Code	Description
9200710	Fixing bracket kit

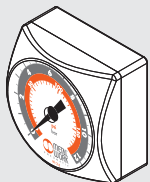
N.B. supplied complete with four M4X6 screws

**NOTES**

**PRESSURE GAUGE**



Code	Description
9700102	M 40 1/8 04
9700101	M 40 1/8 012

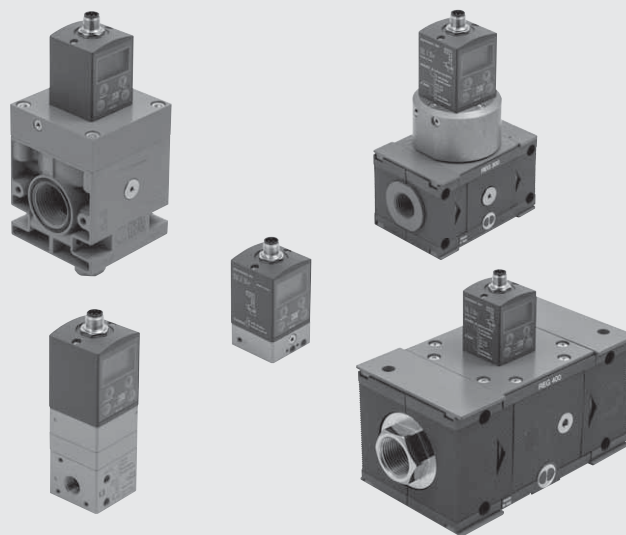


9700109	M 40x40 1/8 04
9700110	M 40x40 1/8 012

# PROPORTIONAL PRECISION PRESSURE REGULATOR REGTRONIC SERIES

Proportional pressure regulators series REGTRONIC have the job of precisely regulating the pressure in a system, the variables depending on the input command. Remote control regulators are controlled by means of an M12x1 cable and connector and can have Volt, mA or RS232 control. Regulators with a display can be controlled via a cable or directly using the keys below the display. The pressure value and a series of information and diagnostics are visible at all times on the graphic display.

The user-display interface, LEDs and buttons are all on one side. The programming and reading software is comprehensive, simple and intuitive. Pressure control takes place in a "closed-loop" with an electronic precision pressure sensor that measures the downstream pressure, a control system that compares it with the desired pressure, and two mini solenoid valves that adjust the pressure to reach the target value.



TECHNICAL DATA	REGTRONIC			REGTRONIC NEW DEAL		REGTRONIC 300			REGTRONIC 400				
	M5	1/8"	1/4"	3/4"	1"	1/2"	3/4"	1"	1"	1 1/4"	1 1/2"	2"	
Threaded port	M5   1/8"   1/4"   3/4"   1"   1/2"   3/4"   1"   1"   1 1/4"   1 1/2"   2"												
Fluid	Filtered, un lubricated air. The air must be filtered at least 10 µm												
MIN inlet pressure	Regulation pressure + 1 bar												
MAX inlet pressure	11												
Temperature range	0 - 50												
Pressure regulation range	0.05 - 10 (settable full scale and minimum pressure)												
Flow rate at 6.3 bar ΔP 0.5	Nl/min	10	770	1490	10000	4500	18000	20000					
Flow rate at 6.3 bar ΔP 0.1	Nl/min	10	1050	1700	13000	7000	-	-					
Exhaust flow rate at 6.3 bar with 0.1 bar overpressure	Nl/min	2	320	500	1800	250	400	400					
Exhaust flow rate at 6.3 bar with 0.5 bar overpressure	Nl/min	9	650	1200	2000	500	850	850					
Weight	kg	0.2	0.38	0.38	1.3	1.5	5	5.8					
Class of protection	65												
Power supply	24 Vcc +10% -5% I max 110 mA												
Input signal (input impedance)	Voltage	0 - 5 Vcc, 0 - 10 Vcc (approx. 6.3 KΩ)											
	Current	4 - 20 mA (approx. 100 Ω)											
	Serial ports	RS 232											
	Manual	Keypad											
Output signal	Analog	0 - 10 Vcc (1 V=1bar) - 1 mA max											
	Digital	PNP open collector output: max 24V 60 mA NPN open collector output: max 24V 60 mA											
Linearity	≤ ± 0.5% (Full scale)												
Hysteresis	≤ ± 0.2% (Full scale)												
Repeatability	≤ ± 0.2% (Full scale)												
Sensitivity/Dead-band	setting range 10 - 100 mbar												
Output pressure (display version)	Accuracy	≤ ± 0.3% (Full scale)											
	Unit of measurement	bar, MPa, psi											
	Minimum resolution	0.01 bar - 0.001 MPa - 0.01 psi											
Analog output accuracy	≤ ± 0.4% (Full scale)												
Temperature characteristics	max 2 mbar / °C												
Response time with ΔP =1 bar		volume 100 cc				volume 1000 cc							
from 6 to 7 bar	s	0.5	0.2	0.3	0.45	0.35							
from 7 to 6 bar	s	0.55	0.3	0.3	0.45	0.7							
Installation position	In any position												
Notes	The features shown refer to the static condition only. With air consumption on the output side, the pressure may vary. <b>On all versions you can set the parameters using the software "MWRegtronic" downloadable from the website <a href="http://www.metalwork.eu">www.metalwork.eu</a>.</b> <b>To connect the PC to Regtronic you can use the cable code W0970513019.</b>												

REMOTE-CONTROL VERSION



DISPLAY VERSION



PROGRAMMABLE AND FLEXIBLE

Setting options:

- LANGUAGE
- UNIT OF MEASUREMENT
- TYPE OF INPUT
- TYPE OF DIGITAL OUTPUT
- DEAD-BAND
- FULL SCALE
- MINIMUM PRESSURE

The remote-control version of the Regtronic has two LED message lines.

The display version also has buttons for entering the various parameters.

PRECISION

**Linearity**  
± 0.5 % (full scale)

**Hysteresis**  
± 0.2 % (full scale)

**Repeatability**  
± 0.2 % (full scale)

**Sensitivity**  
range 10 to 100 mbar

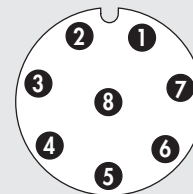
M12 x 1 CONNECTOR



8-pin connector  
- standard  
- available from the trade

CONFIGURATION OF THE M12X1 8-PIN CONNECTOR

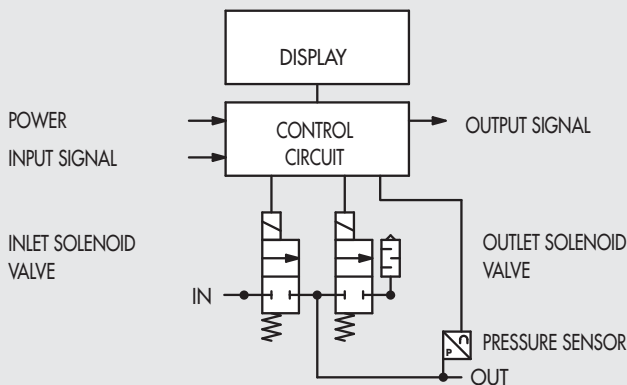
- 1 = TX (RS232) (White)
- 2 = RX (RS232) (Brown)
- 3 = set 0-10 V / 0-5 V / 4-20 mA (Green)
- 4 = digital out 0-24 V NPN (Yellow)
- 5 = analog out 0-10 V (Grey)
- 6 = digital out 0-24 V PNP (Pink)
- 7 = 0 V (GND) (Blue)
- 8 = power supply +24V (Red)



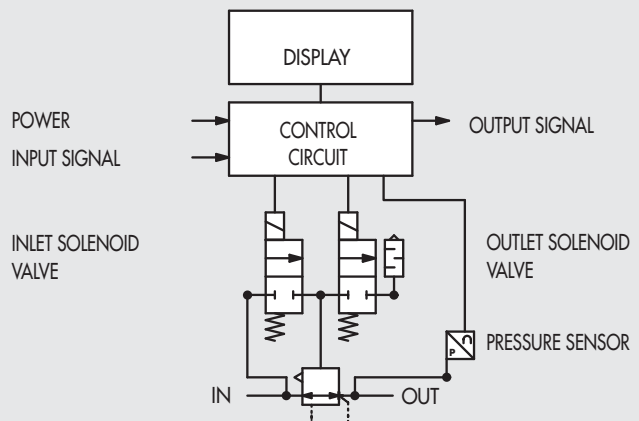
Regulator connector viewed from above

SCHEMA FUNCTION DIAGRAM

REGTRONIC M5



REGTRONIC 1/8" - 1/4" - SK300 - SK400 - NEW DEAL

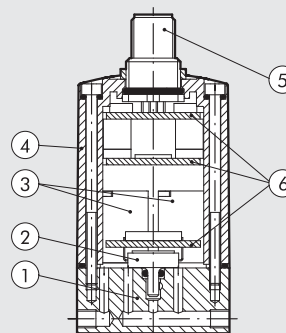


# REGTRONIC M5

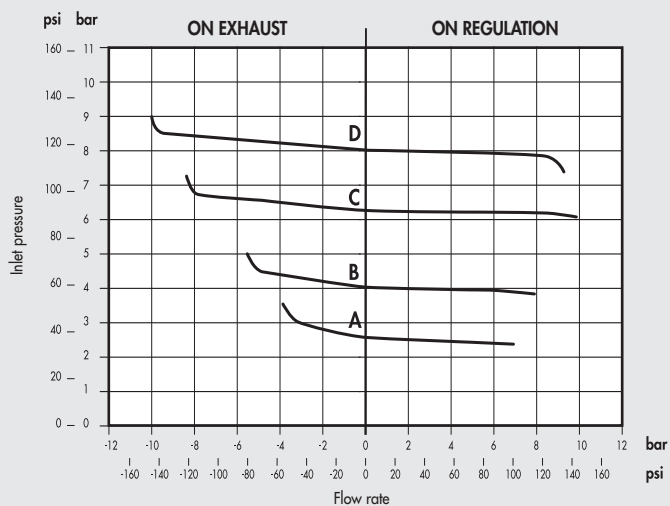


## COMPONENTS

- ① BODY: painted aluminium
- ② PRESSURE SENSOR
- ③ SOLENOID VALVE: 10 mm series PLT-10
- ④ SHELL: technopolymer
- ⑤ CONNECTOR M12 8 pin
- ⑥ ELECTRONIC BOARDS



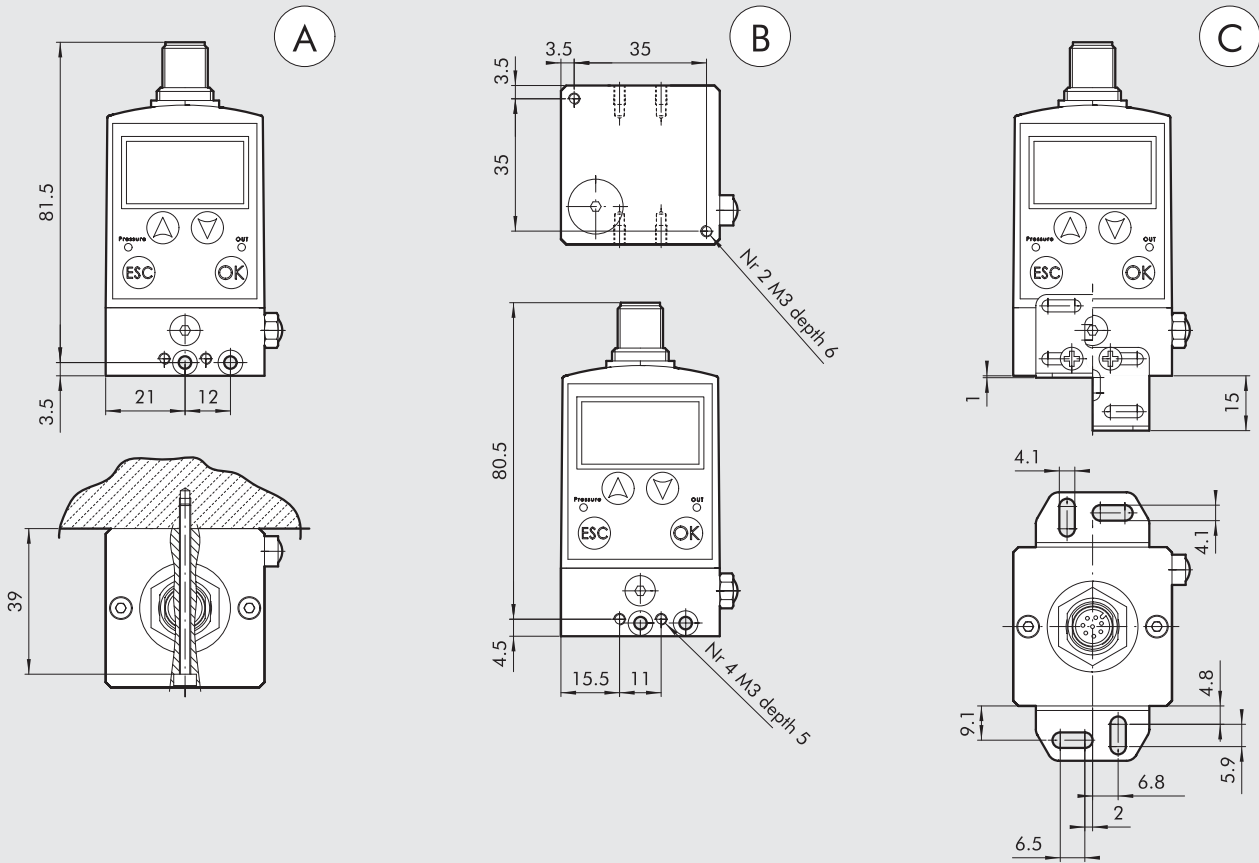
## FLOW CHARTS



A = 2.5 bar    B = 4 bar    C = 6.3 bar    D = 8 bar    Pm = 10 bar

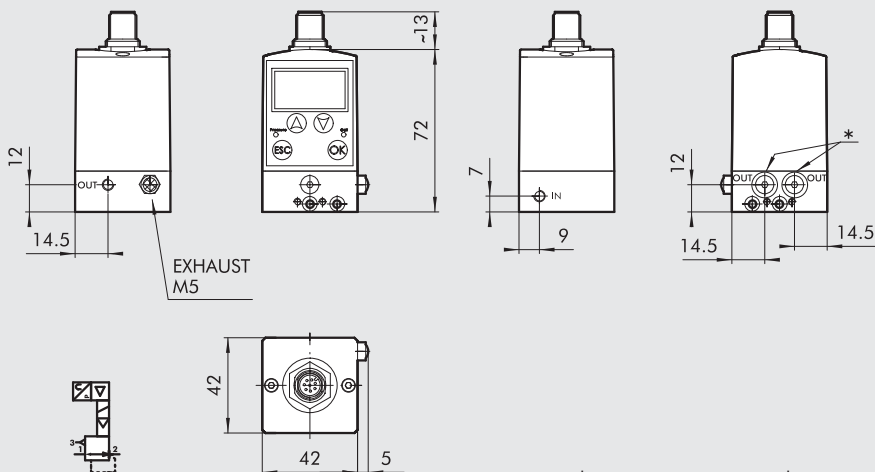


INSTALLATION



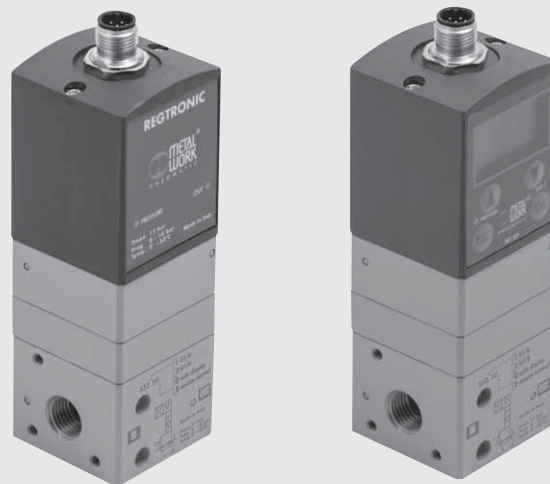
- Ⓐ On the wall with 2 M3 hex screws, with through holes
- Ⓑ On the wall using the M3 threaded holes on the front, rear and underside
- Ⓒ on the wall with legs code 9200711

DIMENSIONS AND ORDERING CODES



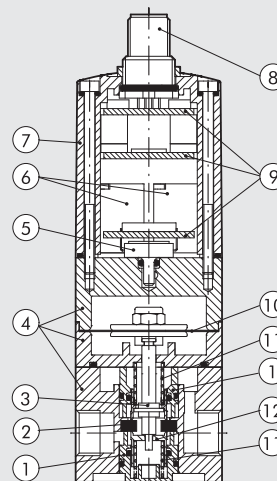
Code	Code
5520500	REGTRONIC M5 with display
5520502	REGTRONIC M5 remote control

# REGTRONIC 1/8"; 1/4"



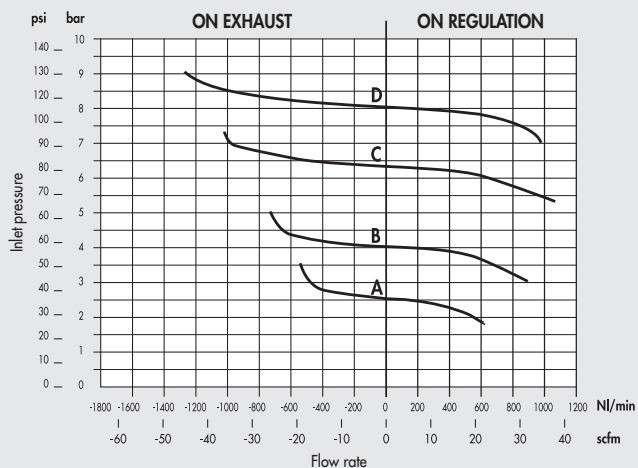
## COMPONENTS

- ① CARTRIDGES: nickel-plated brass
- ② RING: vulcanized NBR
- ③ ROD: steel
- ④ BODIES: painted aluminium
- ⑤ PRESSURE SENSOR
- ⑥ SOLENOID VALVE: 10 mm series PLT-10
- ⑦ SHELL: technopolymer
- ⑧ CONNECTOR M12 8 pin
- ⑨ ELECTRONIC BOARDS
- ⑩ CONTROL DIAPHRAGM: anti-oil rubber
- ⑪ SPRING: stainless steel
- ⑫ POPPET: nickel-plated brass



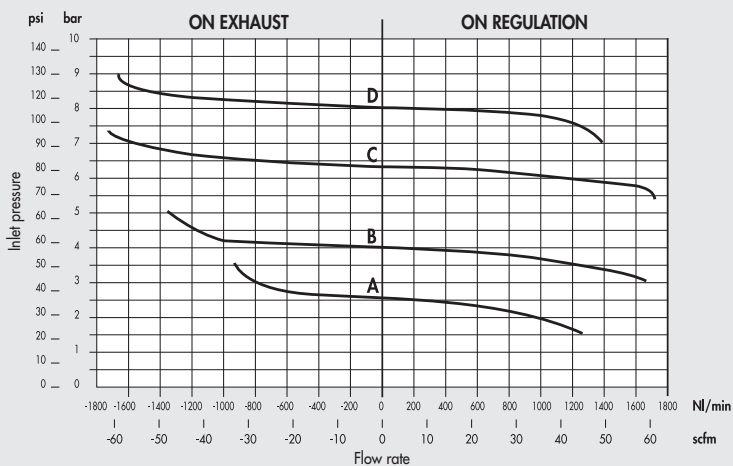
## FLOW CHARTS

1/8"



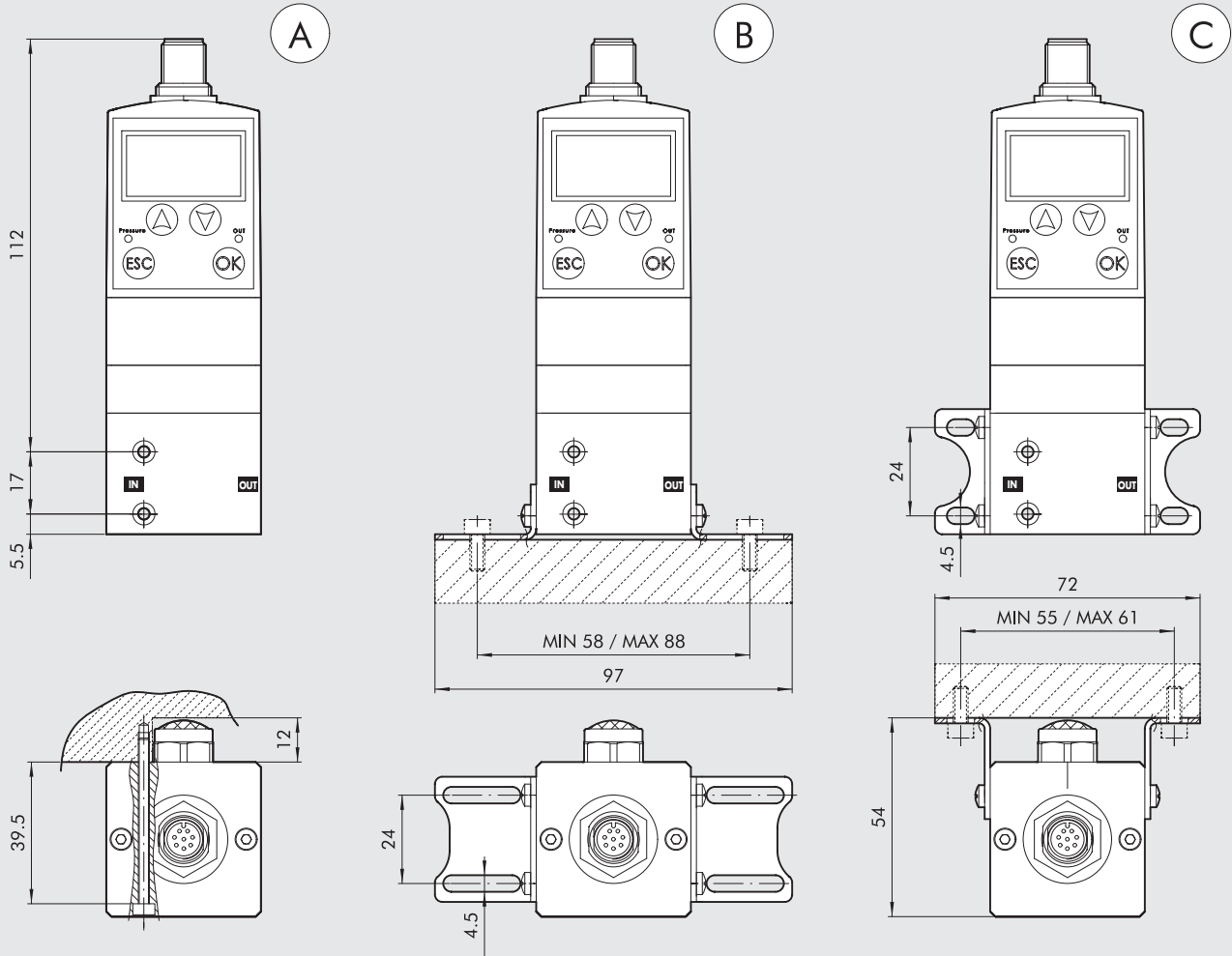
A = 2.5 bar    B = 4 bar    C = 6.3 bar    D = 8 bar

1/4"



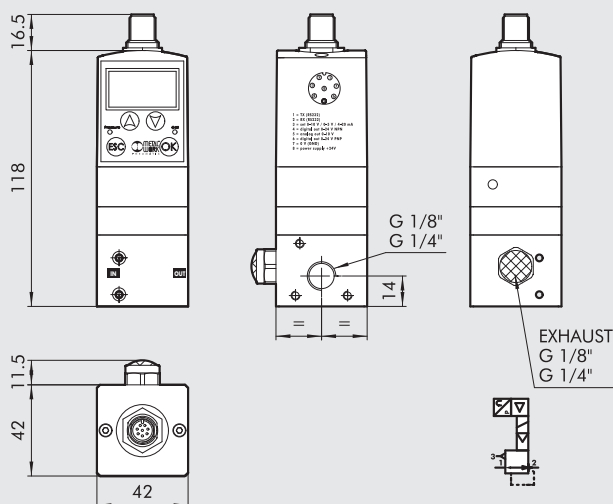
Pm = 10 bar

INSTALLATION



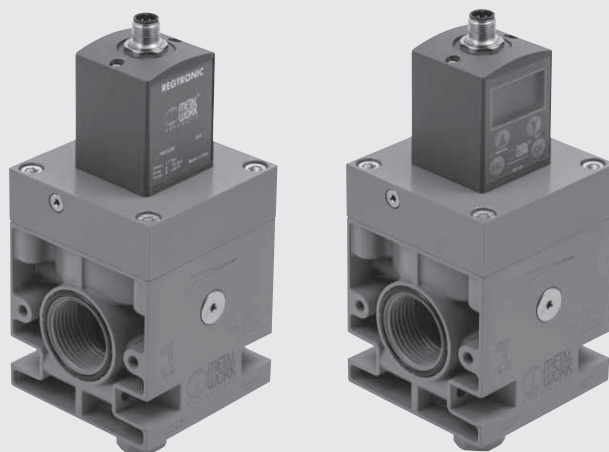
- Ⓐ On the wall with 2 M3 hex screws
- Ⓑ On the base with legs code 9200710
- Ⓒ On the wall with legs code 9200710

DIMENSIONS AND ORDERING CODES



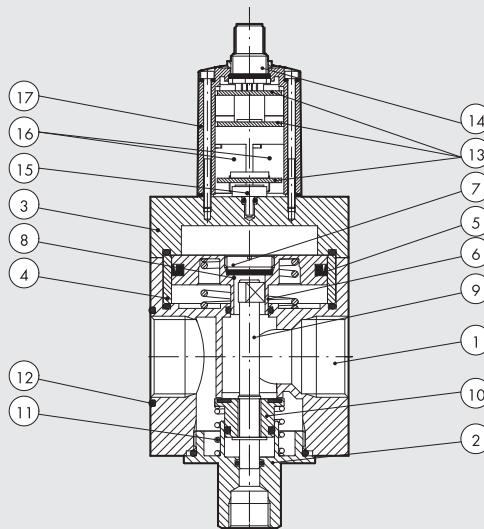
Code	Description
5521500	REGTRONIC 1/8 with display
5521502	REGTRONIC 1/8 remote control
5522500	REGTRONIC 1/4 with display
5522502	REGTRONIC 1/4 remote control

# REGTRONIC Newdeal

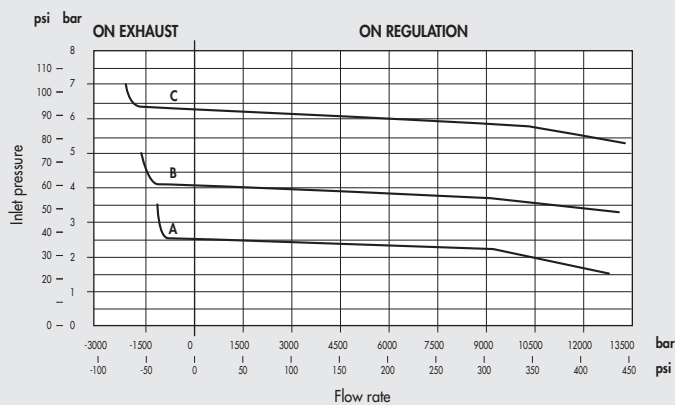


## COMPONENTS

- ① REGULATOR BODY: aluminium
- ② LOWER CAP: aluminium
- ③ UPPER PLATE: aluminium
- ④ SPACER: aluminium
- ⑤ GASKET: NBR
- ⑥ PISTON ROD: aluminium
- ⑦ CAP FOR PLAIN GASKET: OT58 brass
- ⑧ PLAIN GASKET: NBR
- ⑨ ROD: OT58 brass
- ⑩ VALVE: OT58 brass
- ⑪ VALVE SPRING: steel
- ⑫ GASKETS: NBR
- ⑬ ELECTRONIC BOARDS
- ⑭ CONNECTOR M12 8 PIN
- ⑮ PRESSURE SENSOR
- ⑯ SOLENOID VALVE: 10 mm series PLT-10
- ⑰ SHELL: tecnopolymer

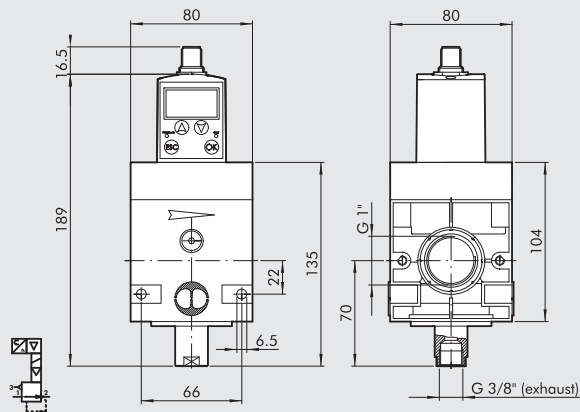


## FLOW CHARTS



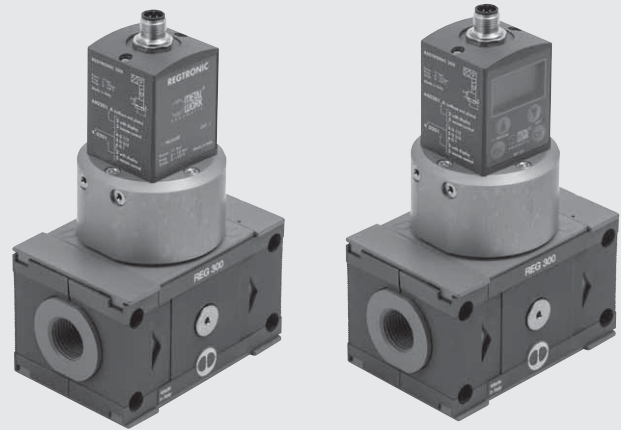
A = 2.5 bar    B = 4 bar    C = 6.3 bar    Pm = 10 bar

## DIMENSIONS AND ORDERING CODES



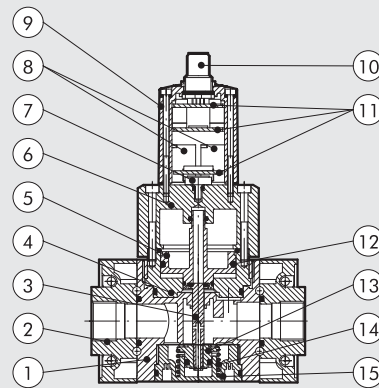
Code	Description
1520003	REGTRONIC 3/4 with display
1520004	REGTRONIC 3/4 remote control
1620003	REGTRONIC 1 with display
1620004	REGTRONIC 1 remote control

# REGTRONIC 300

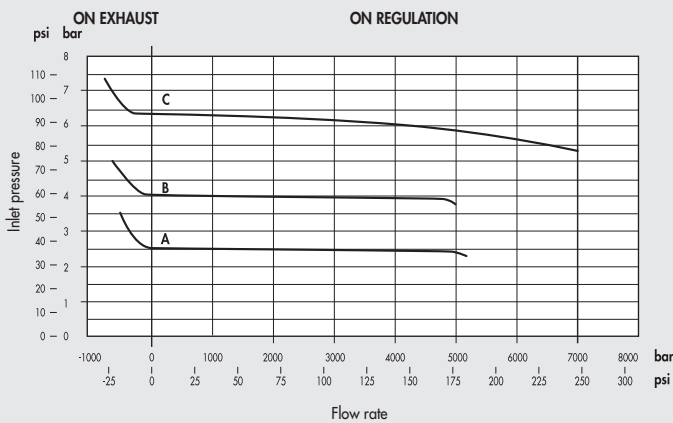


## COMPONENTS

- ① BODY: tecnopolymer
- ② END PLATE: zamak
- ③ STEM: OT58 brass
- ④ UPPER CUP: aluminium
- ⑤ PISTON: OT58 brass
- ⑥ CUP: aluminium
- ⑦ PRESSURE SENSOR
- ⑧ SOLENOID VALVE: 10 mm series PLT-10
- ⑨ SHELL: tecnopolymer
- ⑩ CONNECTOR M12 8 PIN
- ⑪ ELECTRONIC BOARDS
- ⑫ GASKET: NBR
- ⑬ VALVE WITH NBR VULCANIZED GASKET
- ⑭ VALVE SPRING: stainless steel
- ⑮ LOWER CUP: tecnopolymer

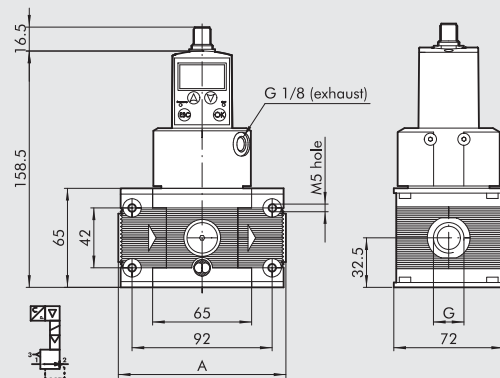


## FLOW CHARTS



A = 2.5 bar    B = 4 bar    C = 6.3 bar    Pm = 10 bar

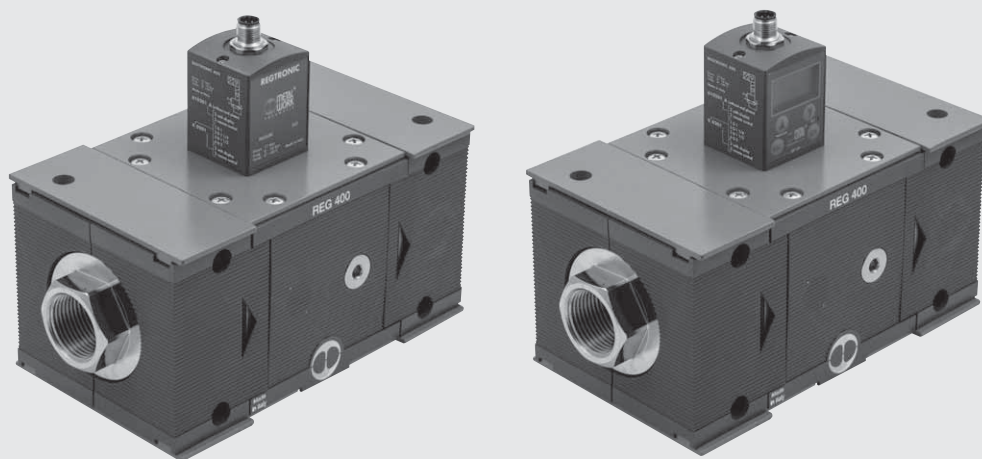
## DIMENSIONS AND ORDERING CODES



G	A
1/2"	110
3/4"	110
1"	112

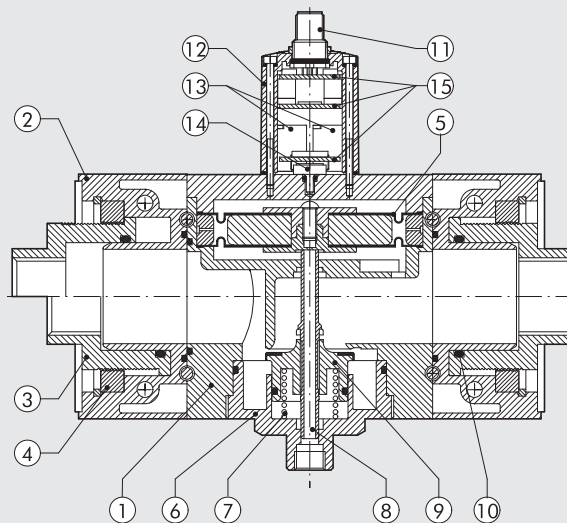
Code	Description
4402012A	REGTRONIC 300 with display without end plates
4402013A	REGTRONIC 300 remote control without end plates
4402012	REGTRONIC 300 1/2 with display
4402013	REGTRONIC 300 1/2 remote control
4502012	REGTRONIC 300 3/4 with display
4502013	REGTRONIC 300 3/4 remote control
4602012	REGTRONIC 300 1 with display
4602013	REGTRONIC 300 1 remote control

# REGTRONIC 400



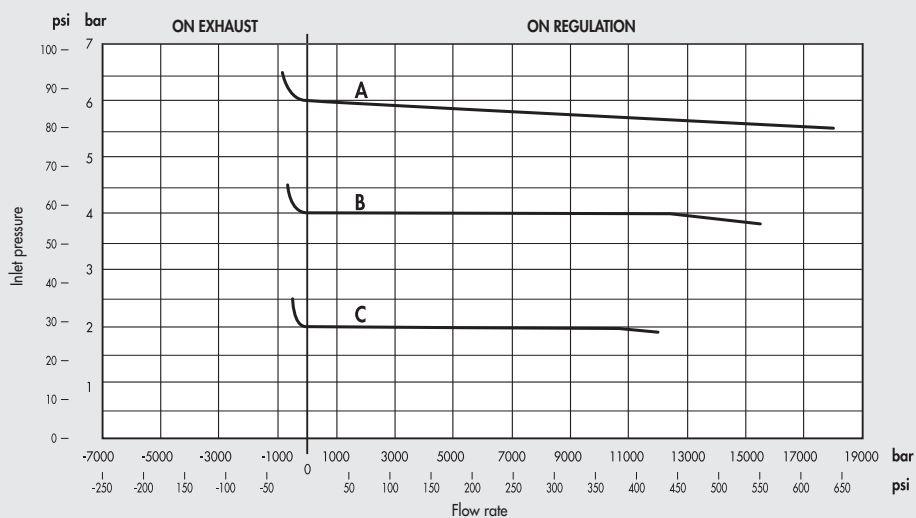
## COMPONENTS

- ① BODY: Aluminium
- ② END PLATE: Aluminium
- ③ THREADED BUSH, AXIAL ADJUSTMENT: OT58 brass
- ④ RETAINING RING: OT58 brass
- ⑤ ROLLING DIAPHRAGM
- ⑥ BRASS PLUG: OT58 brass
- ⑦ VALVE SPRING: Stainless steel
- ⑧ STEM: OT58 brass with air relief hole
- ⑨ VALVE WITH NBR VULCANIZED GASKET
- ⑩ GASKETS: NBR
- ⑪ CONNECTOR M12 8 PIN
- ⑫ SHELL: technopolymer
- ⑬ SOLENOID VALVE: 10 mm series PLT-10
- ⑭ PRESSURE SENSOR
- ⑮ ELECTRONIC BOARDS



## FLOW CHARTS

### REGTRONIC 400 1" to 1 1/2"



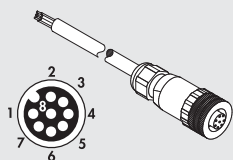
A = 6 bar  
 B = 4 bar  
 C = 2 bar

Pm = 7 bar



# ACCESSORIES REGTRONIC

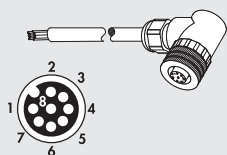
## M12x1 PRE-WIRED 8-PIN FEMALE STRAIGHT CONNECTOR



Code	Description
W0970513010	M12X1 pre-wired 8-PIN straight connector, cable L= 5 m

Pin	Cable color
1	White
2	Brown
3	Green
4	Yellow
5	Grey
6	Pink
7	Blue
8	Red

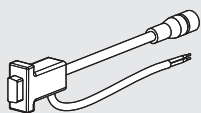
## M12x1 PRE-WIRED 8-PIN FEMALE 90° CONNECTOR



Code	Description
W0970513011	M12X1 pre-wired 8-PIN 90° connector, cable L= 5 m

Pin	Cable color
1	White
2	Brown
3	Green
4	Yellow
5	Grey
6	Pink
7	Blue
8	Red

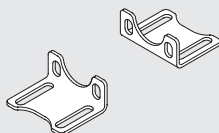
## CONFIGURATION CABLE



Code	Description
W0970513019	Configuration cable Regtronic

The cable consists of:  
 - M12 female connector to be connected to Regtronic  
 - RS232 serial connector to be connected to PC  
 - 2 wires to supply 24 VDC power  
 The package also includes a RS232-USB adapter

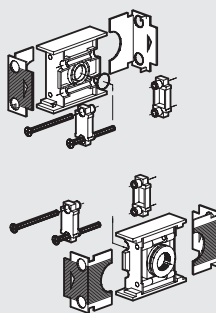
## FIXING BRACKET KIT FOR REGTRONIC 1/8" E 1/4"



Code	Description
9200710	Fixing bracket kit

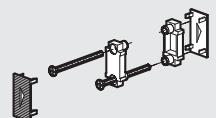
N.B. supplied complete with four M4X6 screws

## INPUT/OUTPUT END PLATE KIT FOR SKILLAIR



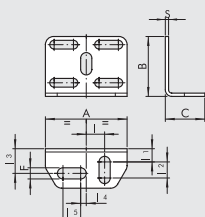
Code	Description
9430701	IN/OUT end plates kit 300 1/2
9530901	IN/OUT end plates kit 300 3/4
9531001	IN/OUT end plates kit 300 1
9631001	IN/OUT end plates kit 400 1
9631101	IN/OUT end plates kit 400 1 1/4
9631201	IN/OUT end plates kit 400 1 1/2
9631301	IN/OUT end plates kit 400 2

## CONNECTOR KIT FOR SKILLAIR CODE A



Code	Description
9430301	Connector kit 300
9630301	Connector kit 400

## FIXING BRACKET KIT FOR REGTRONIC M5



Code	Description
9200711	Regtronic M5 Fixing bracket kit

A	B	C	F	I	I1	I2	I3	I4	I5	S
30	22	14.5	4.2	6.8	4.8	5.9	9.1	2	6.5	1.2

N.B. supplied complete with four M3x6 screws

## NOTES



# PRESSURE SWITCHES

This type of pressure switch features a high degree of miniaturisation and a modern attractive design.

It can be installed in any position and also mounted onto a wall by means of two transversal holes.

In order to reduce wiring times, it is supplied ready assembled with a 2-metre electric cable or an M8 connector with a 300-mm cable.

The contact is the switching type, which means it can be normally open or normally closed.

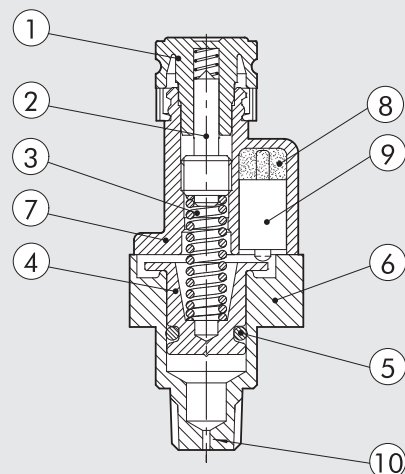
A knurled push-lock handle is provided for regulation



TECHNICAL DATA		
Adjustable pressure interval	bar	0.5 to 10
Hysteresis (not adjustable)	bar	from 0.4 to 0.8 (See diagram)
Maximum pressure	bar	15
	MPa	1.5
Operating temperature range at: 1 MPa; 10 bar; 145 psi	psi	217
	°C	50
	°F	122
Lower threaded port		R 1/8"
Maximum current	A	2
Maximum voltage	V	250
Outside diameter of cable	mm	4.9
Number of wires and cross section		3 x 0.5 mm <sup>2</sup>
Contacts		Normally-Open (NO) and Normally-Closed (NC)
Protection		IP65
Number of switchings		5 x 10 <sup>6</sup>
Fluid		Filtered lubricated or unlubricated compressed air. Lubrication, if used, must be continuous
Mounting position		In any position.
Weight	kg	0.121

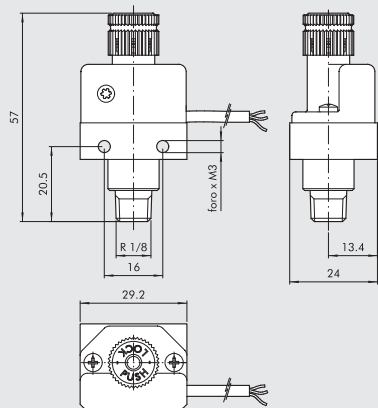
## COMPONENTS

- ① Technopolymer adjusting push-lock handle
- ② Brass adjusting screw
- ③ Steel piston spring
- ④ Brass piston
- ⑤ NBR gasket
- ⑥ Body made of anodized aluminium
- ⑦ Technopolymer pressure switch body
- ⑧ Resin finish for IP65
- ⑨ Electrical contact
- ⑩ Choke to reduce peaks in pressure



## ACCESSORIES

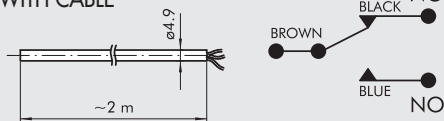
### DIMENSIONS AND ORDERING CODES



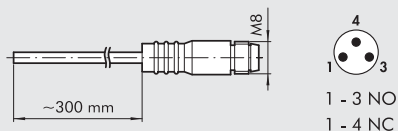
Code	Description
9000401	1/8 2A NO/NC pressure switch, 2-metre cable
9000402	1/8 2A NO/NC pressure switch, M8 connector

### WIRING DIAGRAM

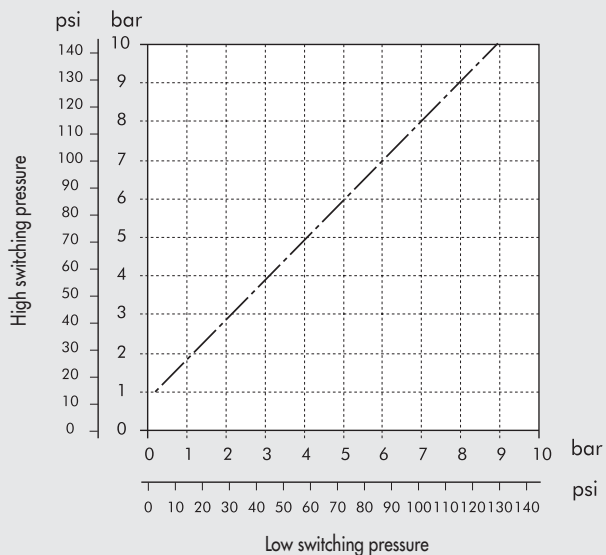
#### VERSION WITH CABLE



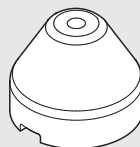
#### VERSION WITH M8 CONNECTOR



### HYSTERESIS GRAPH



### SECURITY KNOB



Code	Description
9200703	Acc. security knob

NOTE: Pull outwards to remove the knob from the pressure switch on the unit. Insert the security knob and regulate the pressure switch. Then press the handle firmly to lock it in position. If the pressure switch needs to be reset, remove the security knob by forcing it laterally with a screwdriver.

### NOTES

# DIGITAL PRESSURE SWITCH



The digital pressure switch allows both the transmission of electrical pressure signals and the instant display of pressure. Two digital outputs, which can be set according to the two pressure values reached, are available.

An analogue output of a voltage proportional to the pressure reading is also available. The values are clearly displayed on a LED video and different parameters can be entered from the keypad.

Hysteresis can be adjusted and the unit of measurement for pressure can be modified.

Two models are available:

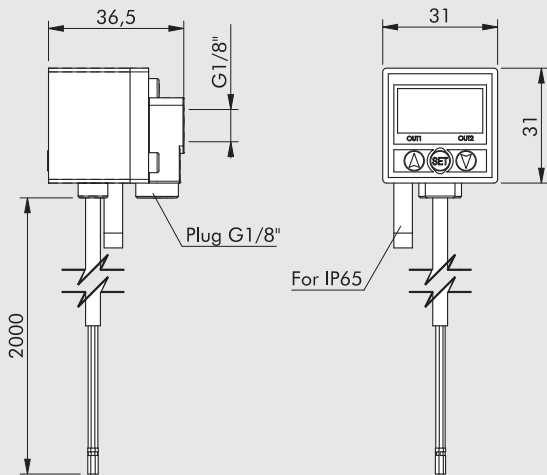
Series **600** (historical version), characterised by G1/8" female pneumatic ports, one at the bottom and one at the back (pressure switch supplied with bottom port covered with a removable plug); one-colour LED; pre-wired cable.

Series **640** (the latest version), characterised by R1/8" male pneumatic ports (taper thread) and M5 female thread inside on the rear side; two-colour LED displays that can be programmed depending on the pressure signal; cable with connector. A kit of accessories is provided for fixing to the top or wall, or to a panel.



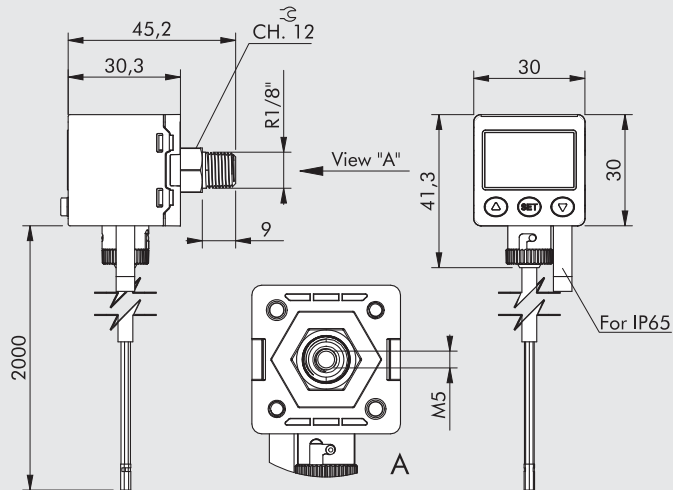
TECHNICAL DATA		SERIES 600	SERIES 640
Working pressure range	bar		-1 to 10
	MPa		-0.1 to 1
Maximum admissible pressure	bar		15
	MPa		1.5
Readable resolution	bar		0.01
	MPa		0.001
	kg/cm <sup>2</sup>		0.01
	psi		0.1
Power supply	VDC	12 to 24 ± 10%, max ripple 10%	
Current consumption	mA	≤ 55	≤ 40
Digital outputs		2 type PNP, with max current 80 mA, max voltage 24 VDC; residual voltage ≤ 1V (at 80 mA)	2 type PNP, with max current 125 mA, max voltage 24 VDC; residual voltage ≤ 1.5 V (at 125 mA)
		≤ ±0.2 % full scale ± 1 digits	
Digital output repeatability		Adjustable or fixed at 3 digits for operation within a pressure range	
Hysteresis		≤ 2.5	
Actuation response time	ms	24, 192, 768	
Interference suppression selectable at	ms	25, 100, 250, 500, 1000, 1500	
Short-circuit protection at the outputs		Yes	
LED 7 segment display		3 ½ digit display	
Display colours		red	red/green
Display accuracy		±2% full scale ± 1 digit, ambient temperature 25° ± 3°C	
Indicators		green LED (output 1), red LED (output 2)	orange LED (output 1 and output 2)
Analogue output		1-5 V ± 2.5% (0 bar - 1V; 10 bar - 5V; it doesn't read the vacuum)	
		Linearity ≤ 1% full scale	
		Output impedance: about 1 kΩ	
Thermal characteristic		≤ ±2% full scale of the calibration pressure (at 25°C), in the temperature range 0 - 50°C	
Compressed air ports		2 G1/8" female thread	1 R1/8" male taper thread (M5 female inside)
Power cable		2 m, with five 0.15 mm <sup>2</sup> wires, oil-resistant	
		pre-wired cable, not removable	removable connector
Certifications		CE, Rohs	
Weight	g	105, including 2 m cable	86, including 2 m cable
<b>AMBIENT CONDITIONS</b>			
Fluid		Filtered and unlubricated air, inert non-corrosive and non-explosive gas	
Degree of protection		IP 40 - IP65 (with accessory protection assembled)	
Temperature range	°C	0 to 50	
Storage temperature	°C	-20 to +60, but without condensate or ice	-10 to +60, but without condensate or ice
Ambient humidity		35 to 85% relative humidity; no condensate	
Insulation voltage		1000 VAC for one minute between casing and cable	
Resistance of Insulation		Min. 50 MΩ minimo (at 500 VDC between casing and cable)	
Vibration admitted		1.5 mm amplitude or 10G with scanning every minute from 10 to 55 Hz at 10 Hz, for 2 hours in each direction x, y and z	
Impact		980 m/s <sup>2</sup> (100 g), 3 times in each direction x, y and z   100 m/s <sup>2</sup> (10 g), 3 times in each direction x, y and z	

**DIMENSIONS AND ORDERING CODES SERIES 600**



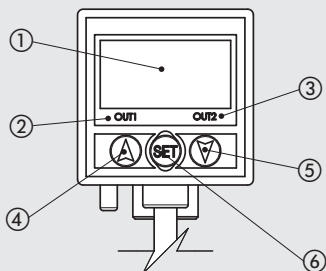
Code	Description
9000600	Digital pressure switch series 600

**DIMENSIONS AND ORDERING CODES SERIES 640**



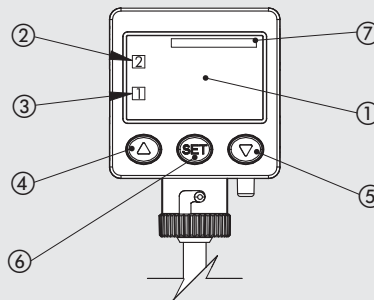
Code	Description
9000640	Digital pressure switch series 640

**USER INTERFACE SERIES 600**



- ① 3 1/2 digit display, red: showing the pressure reading, all setting information, and the error code
- ② Digital output 1: green LED
- ③ Digital output 2: red LED
- ④ Button: modifies the value of the selected parameter
- ⑤ Button: modifies the value of the selected parameter
- ⑥ Setting button: selects the parameter to modify

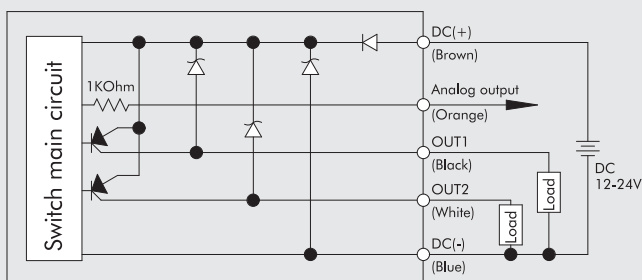
**USER INTERFACE SERIES 640**



- ① 3 1/2 digit display, green and red: it displays the unit of measurement, the pressure value read, all setting information, the error code.
- ② Digital output 1: orange LED
- ③ Digital output 2: orange LED
- ④ Button: modifies the value of the selected parameter
- ⑤ Button: modifies the value of the selected parameter
- ⑥ Setting button: selects the parameter to modify
- ⑦ Unit of measurement selected

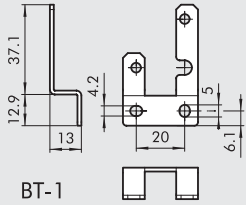
**WIRING DIAGRAM SERIES 600 - 640**

**PNP output**

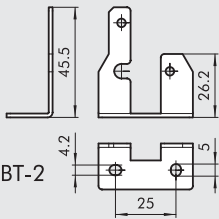
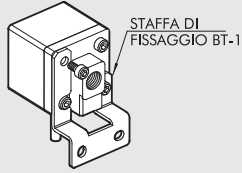


## ACCESSORIES SERIES 600

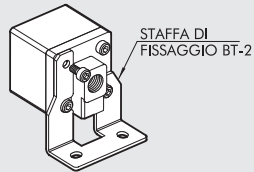
### FIXING BRACKET KIT



BT-1

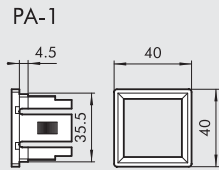


BT-2



Code	Description
9000601	Kit of fixing brackets for digital pressure switches series 600 N.B.: Each kit contains a bracket for fixing on the back and one for fixing at the bottom.

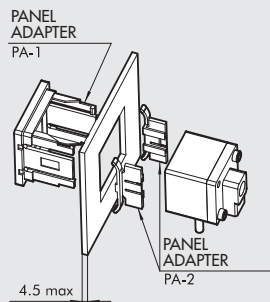
### PANEL FIXING KIT



PA-1

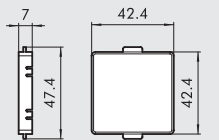


PA-2

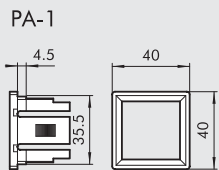


Code	Description
9000602	Kit for panel fixing for the digital pressure switch series 600

### PANEL FIXING KIT WITH VIDEO SCREEN



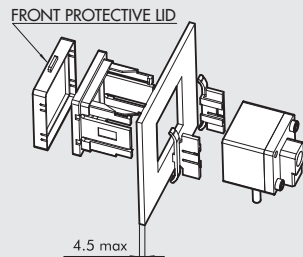
FPC-1



PA-1

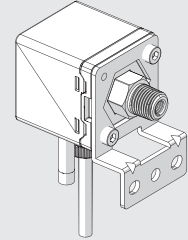
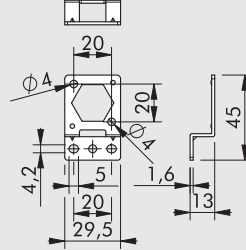


PA-2



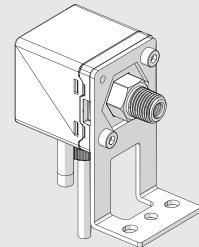
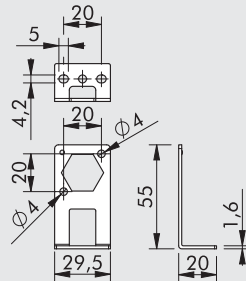
Code	Description
9000603	Kit for panel fixing with screen for the digital pressure switch series 600

### PARALLEL FIXING BRACKET KIT



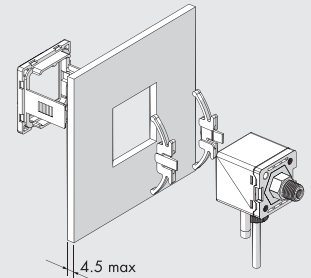
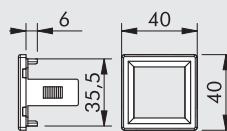
Code	Description
9000641	Parallel fixing bracket kit for digital pressure switch series 640

### 90° FIXING BRACKET KIT



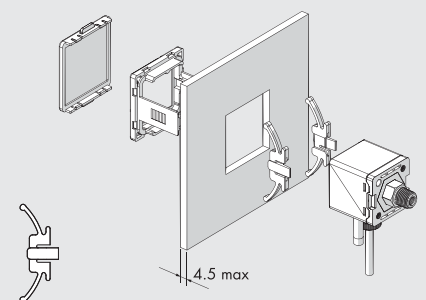
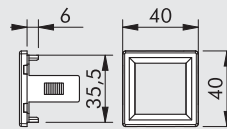
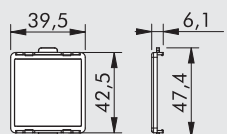
Code	Description
9000644	90° fixing bracket kit for digital pressure switch series 640

### PANEL FIXING KIT



Code	Description
9000642	Kit for panel fixing for the digital pressure switch series 640

### PANEL FIXING KIT WITH VIDEO SCREEN

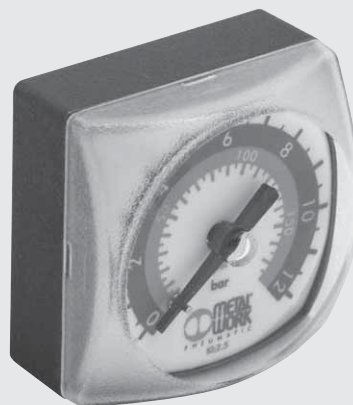


Code	Description
9000643	Kit for panel fixing with screen for the digital pressure switch series 640

# SQUARE DIAL PRESSURE GAUGE

A compact pressure gauge with a square dial to go with air treatment units.

A PTFE ring seal mounted on the 1/8" thread of the fitting ensures a perfect pneumatic seal. To mount it, screw the gauge in as far as it will go, then loosen enough to align the dial. A sealant is not required. The pressure gauge has a neck to dampen pressure vibration and absorb water hammer. This improves overall reliability and guarantees longer life.



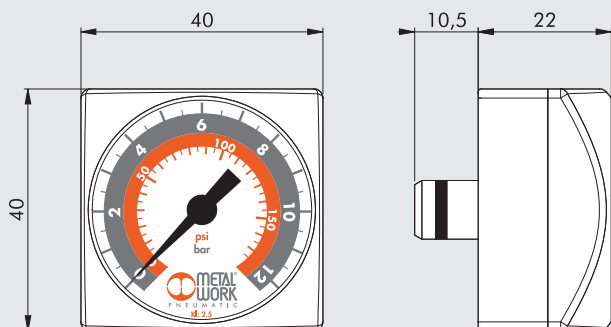
UNITS

SQUARE DIAL PRESSURE GAUGE

## TECHNICAL DATA

Fitting thread		G 1/8"
Pressure range	bar	0-4 / 0-12
	psi	0-60 / 0-175
Precision class	EN 837	2.5
Pneumatic seal		PTFE ring seal
Vibration damping		Yes

## DIMENSIONS



## ORDERING CODES

Code	Description
9700109	M 40x40 1/8 04
9700110	M 40x40 1/8 012