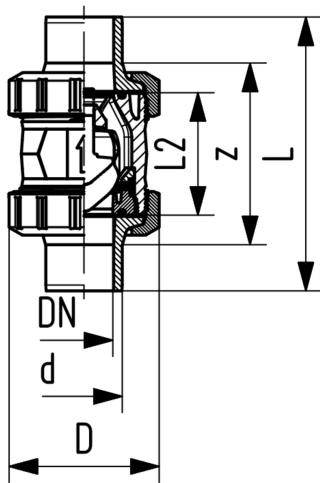


PROGEF Plus Check valve type 561 silicone free
Without spring
With socket fusion spigots metric

Model:

- Material: PP-H / silicone free cleaned
- Sealing at a minimum water column of 2 m
- Designed for easy installation and removal
- Vibration free even at high flow velocity
- Flow-optimized return cone, double guided
- For vertical installation
- Compact installation length, same as ball valve type 546
- Z-length, end connectors and union nuts **not** compatible with type 360
- New DN65-DN100



d (mm)	DN (mm)	PN (bar)	kv-value ($\Delta p=1$ bar) (L/min)	EPDM Code	SP	Weight (kg)	FKM Code	SP	Weight (kg)
16	10	10	190	167 561 221	1	0.080	167 561 231	1	0.080
20	15	10	180	167 561 222	1	0.090	167 561 232	1	0.090
25	20	10	380	167 561 223	1	0.170	167 561 233	1	0.190
32	25	10	460	167 561 224	1	0.200	167 561 234	1	0.200
40	32	10	850	167 561 225	1	0.340	167 561 235	1	0.350
50	40	10	1080	167 561 226	1	0.510	167 561 236	1	0.510
63	50	10	1670	167 561 227	1	0.940	167 561 237	1	0.950
75	65	10	2950	167 561 228	1	2.360	167 561 238	1	2.370
90	80	10	3600	167 561 229	1	3.730	167 561 239	1	3.750
110	100	10	4150	167 561 230	1	5.960	167 561 240	1	5.980

d (mm)	D (mm)	L (mm)	L2 (mm)	L3 (mm)	closest inch (inch)
16	50	110	56		$\frac{3}{8}$
20	50	120	56	130	$\frac{1}{2}$
25	58	139	65	150	$\frac{3}{4}$
32	68	150	71	160	1
40	84	170	85	180	$1 \frac{1}{4}$
50	97	190	89	200	$1 \frac{1}{2}$
63	124	220	101	230	2
75	166	280	136	290	$2 \frac{1}{2}$
90	200	296	141	310	3
110	238	336	164	350	4

The technical data are not binding. They neither constitute expressly warranted characteristics nor guaranteed properties nor a guaranteed durability. They are subject to modification. Our General Terms of Sale apply.

Georg Fischer Piping Systems Ltd, Postfach, CH-8201 Schaffhausen/Switzerland
 Phone +41 -(0)52-631 1111
 e-mail: info.ps@georgfischer.com
 Internet: <http://www.gfps.com>